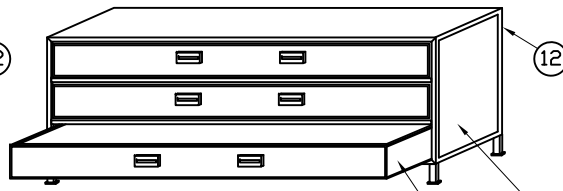
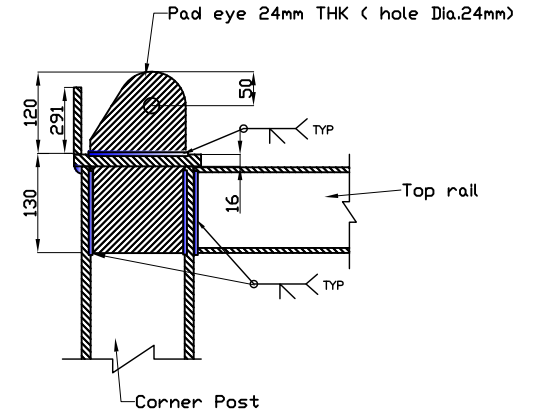
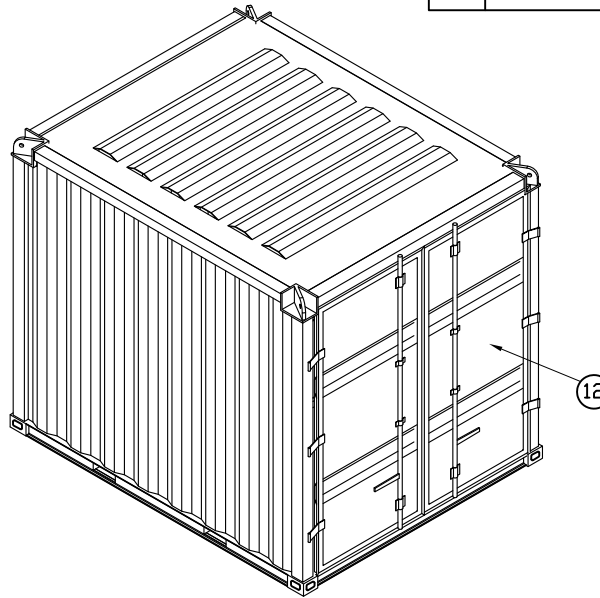
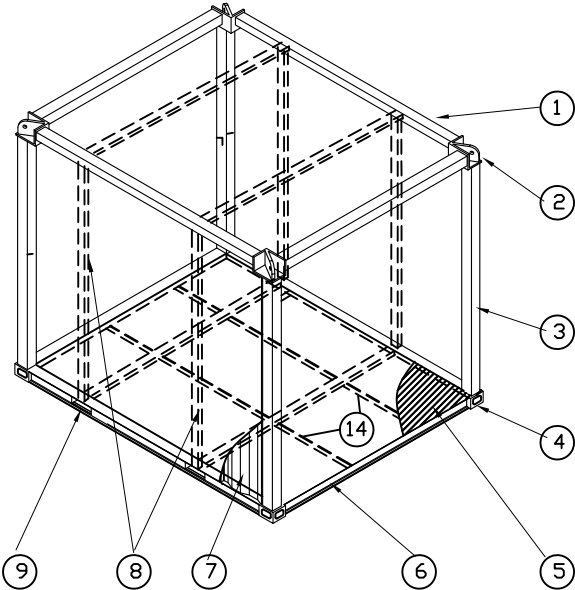


10 DRAWER TOOL CABINET



3 DRAWER TOOL CABINET



PAD EYE DETAIL

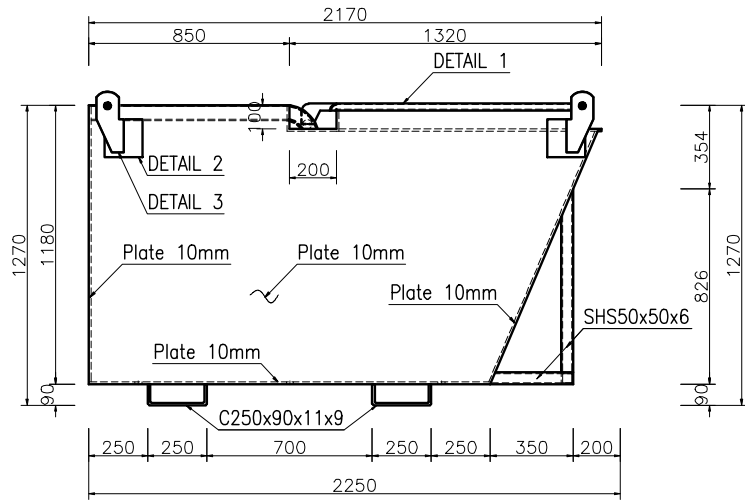
BILL OF MATERIAL FOR MECHANICAL WORKSHOP

ITEM	DESCRIPTION	MATERIAL GRADE	Q'TY	AREA		WEIGHT		REMARKS
				LENGTH	W/U	TOTAL		
1	Top rail-SHS100x100x6	S355JD/EH36	4	11,600				m
2	Pad eye 24mmthk-hole Dia24mm	S355JD/EH36	4	1,330				m
3	Corner post-SHS150x150x10	S355JD/EH36	4	10,240				m
4	ISO Corner	S355JD/EH36	8	15,000				kg
5	Floor-CS steel 5mmthk	S355JD/EH36	1	9,840				m2
6	Bottomrail-U160x80x8	S355JD/EH36	4	11,600				m
7	Wall Corulgate 4mmthk	S355JD/EH36	4	23,250				m2
8	Re-inforce support: U250x100x8	S355JD/EH36	4	11,000				m
9	Forklift pocketplate 8mm	S355JD/EH36	2	5,000				m
10	Drawer of cabinet	S355JD/EH36	2					kg
11	Cover plate of cabinet:2mmthk	S355JD/EH36	4					m2
12	Main frame of cabinet:SHS40x40	S355JD/EH36	8					m
13	Doors with lock(as ISOcontainer)	S355JD/EH36	2					
14	Bottom stiffener:V75x6	S355JD/EH36	6					

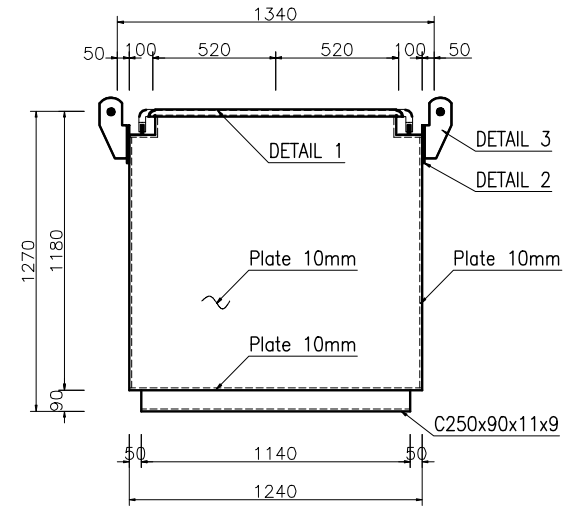
TOTAL: 2000 KG

PVEP POC OPE										CLIENT		DRAWN: _____ DATE: _____		TITLE: PVEP POC MECHANICAL WORKSHOP CONTAINER	
				C NOV,11		ISSUE FOR CONSTRUCTION						CHECKED: _____ DATE: _____			
				B OCT,11		ISSUE FOR APPROVAL						DESIGNED: _____ DATE: _____			
				A OCT,11		ISSUE FOR REVIEW		TWN		NHC		TWN		NHC	
DRW	DIRECTORY: STRUCTURAL	FILE NAME	DATE & TIME	DWG No	REV	DATE	REVISION DESCRIPTION	DRAWN	CHECKED	DESIGNED	APPROVED	CLIENT	APPROVED: _____ DATE: _____	SCALE:	DRG No.
1				3									CLIENT: _____ DATE: _____		
														SHT: 1 OF 2	REV

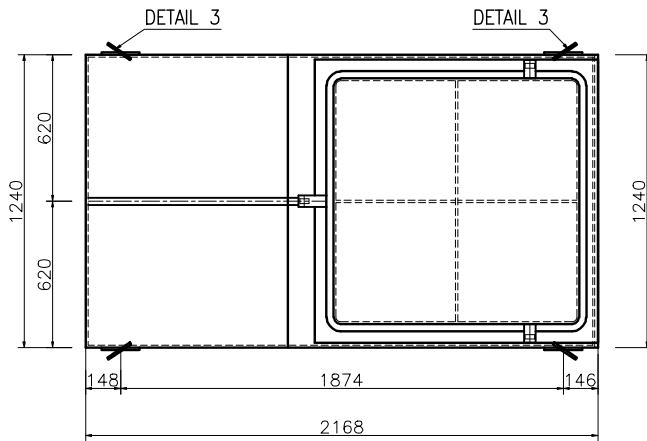
FRONT VIEW
SCALE: 1/20



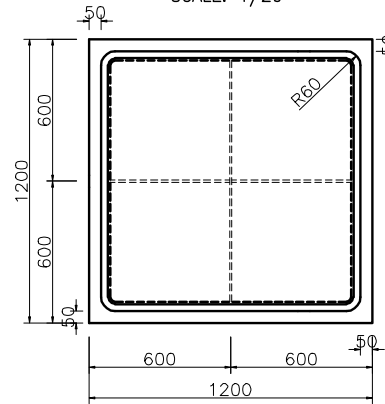
SIDE VIEW
SCALE: 1/20



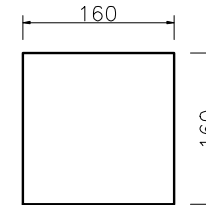
PLAN VIEW
SCALE: 1/20



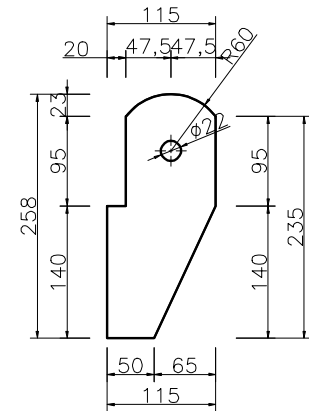
DETAIL 1
SCALE: 1/20




DETAIL 2
SCALE: 1/20



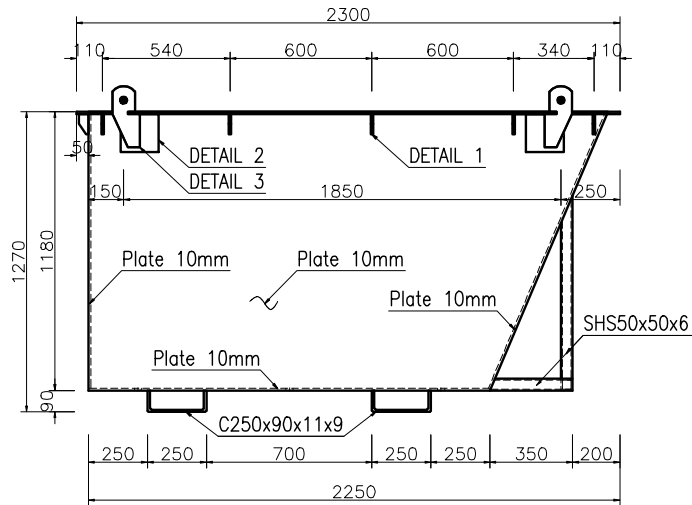
DETAIL 3
SCALE: 1/20



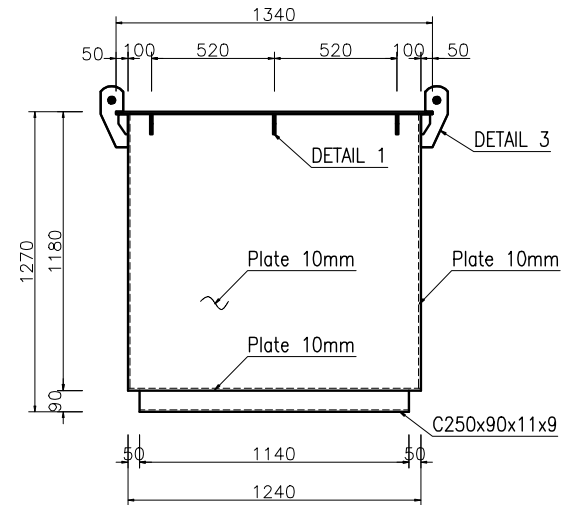
Note:
- All dimensions are in mm;

CLIENT PVEP POC	 PVD OFFSHORE TECHNICAL SERVICES CO. LTD	DESIGN & FABRICATE		DWG TITLE: RB - PVEP POC/HH (01 EACH)	REV: 0
		PVD OFFSHORE TECHNICAL SERVICES CO. LTD		DWG NO: PVD/PVEP POC 200811 - 02	SHEET: 2 of 2 DATE: 20-08-2011 SCALE: 1/20; 1/5
CLIENT APPROVAL		DRAWN	CHECKED	APPROVED	
		HOANG QUOC VIET	TRẦN BÌNH THUY	PHẠM TRỌNG ĐÀM	

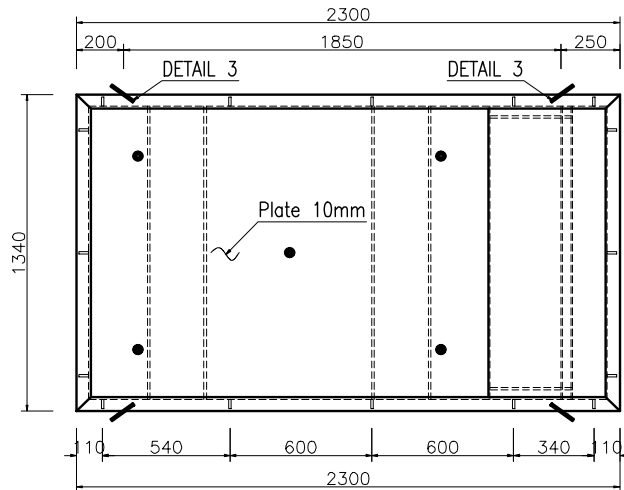
FRONT VIEW
SCALE: 1/20



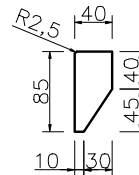
SIDE VIEW
SCALE: 1/20



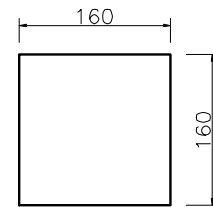
PLAN VIEW
SCALE: 1/20



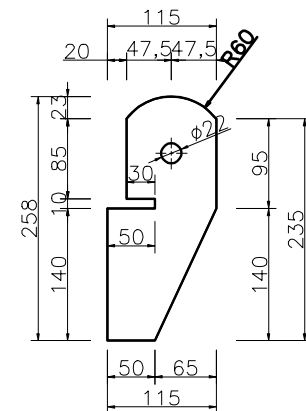
DETAIL 1
SCALE: 1/20




DETAIL 2
SCALE: 1/20



DETAIL 3
SCALE: 1/20



Note:
- All dimensions are in mm;

CLIENT PVEP POC	 DESIGN & FABRICATE PVD OFFSHORE TECHNICAL SERVICES CO. LTD	DWG TITLE: RB - PVEP POC/HH (01 EACH)		REV: 0
		DRAW NO: PVD/PVEP POC 200811 - 01		SHEET: 1 of 2
CLIENT APPROVAL		DRAWN	CHECKED	DATE: 20-08-2011
				SCALE: 1/20; 1/5
		HOANG QUOC VIET	TRAN BINH THUY	PHAM TRUNG DAN