



**PETROVIETNAM EXPLORATION PRODUCTION CORPORATION**  
**DOMESTIC PETROLEUM OPERATING BRANCH – PETROVIETNAM EXPLORATION PRODUCTION CORPORATION LIMITED**

15th Floor, Victory Tower, 12 Tan Trao Str. Tan My Ward, Ho Chi Minh City  
Tel: (84.28) 3776 2222 / Fax: (84.28) 3872 1079 - (84.28) 3872 1088

## REQUEST FOR QUOTATION

No. PVEPPOC-26-10093

**Issue to:**

<b>RFO Date:</b>		<b>Closing Date:</b>		<b>Currency:</b>	
<b>Delivery Date:</b>	10-May-2026 08:00 AM	<b>Quotation Validity (Days):</b>	90	<b>Delivery Terms:</b>	
<b>Quotation Language:</b>	English or Vietnamese	<b>Ship via:</b>		<b>Payment Terms:</b>	45

**Shipping Instruction:**

PTSC Port.  
65A, 30/4 Street, Rach Dua Ward,  
Ho Chi Minh, S.R Vietnam.

**Reply to:**

PVEP-POC Office  
15th Floor - Victory Tower- 12 Tan Trao str, Tan My  
Ho Chi Minh, Viet Nam

*PVEP-POC hereby solicits a most competitive Quotation proposal from your esteem company in accordance with the following requirements*

**Scope of supply**

Line	Item	Description	Order Unit	Quantity	PR #
1		Dịch vụ thay ống nối và dây buộc tàu chứa dầu	LOT	1	26-10193

**Special Conditions:**

Scope of Work is detailed in Attachment No.1.

- Standard Terms & Conditions are specified in accordance with the attachment herein shall apply

- Your official Quotation Proposal shall be signed by duly authorized representative, stamped and reached to us not later than the Closing Date.

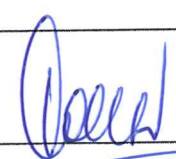
Signature:  
Name:  
Designation:  
Date:

  
\_\_\_\_\_  
*Nguyễn Xuân Ninh*  
\_\_\_\_\_  
**DIRECTOR**

Verified by PPM:

Trinh, Phan Thi Tu  
  
\_\_\_\_\_

Verified by Request  
Dept.:

Dong, Tang Van  
  
\_\_\_\_\_

*Handwritten initials/signature*

## **PVEP POC'S GENERAL TERMS AND CONDITIONS FOR REQUEST FOR QUOTATION**

### **ARTICLE 1 - PREAMBLE**

- The SERVICE ORDER is issued by **Domestic Petroleum Operating Branch – PetroVietnam Exploration Production Corporation Limited** to SUPPLIER for the supply of SERVICES as specified herein and according to the Terms and Conditions of SERVICE ORDER.

### **ARTICLE 2 - DEFINITIONS**

1. "AFFILIATES" means any CLIENT which controls, or is controlled by, or which is controlled by an entity, which controls, a Party. For the purposes of this definition, "control" means the ownership directly or indirectly of more than fifty (50%) percent of the voting rights in a CLIENT.
2. "CLIENT" means Domestic Petroleum Operating Branch – PetroVietnam Exploration Production Corporation Limited or any its divisions, AFFILIATES so named in the SERVICE ORDER.
3. "SERVICES" means all works, services and obligations to be performed, provided or otherwise fulfilled by SUPPLIER pursuant to and in accordance with the Terms and Conditions of the SERVICE ORDER, including without limitation the work and services described in the SERVICE ORDER, together with any operations carried out in connection therewith, and the physical result of the performance of such work, services and obligations.
4. "SERVICE ORDER" means the SERVICE ORDER form this document and any other documents listed herein and shall constitute the entire agreement between the Parties and the appendices as may be amended by any special conditions referred to in the SERVICE ORDER.
5. "SPECIFICATIONS" means the specifications of equipment, supplies and materials to be supplied by SUPPLIER together with the relevant data or other information relating to SERVICES, the specifications shall constitute an integral part of the SERVICE ORDER.
6. "SUPPLIER" means the person(s), firm, company or entities named in the SERVICE ORDER to supply SERVICES hereinafter defined and shall include the SUPPLIER's legal personal representatives, successors and assignees.

### **ARTICLE 3 - TIME OF THE ESSENCE**

1. Time is of the essence with regard to SUPPLIER's performance under the Terms and Conditions of SERVICE ORDER. SUPPLIER shall begin performing SERVICES in accordance with the SERVICE ORDER and proceed diligently to complete SERVICES within the Terms and Conditions of SERVICE ORDER.
2. SUPPLIER (i) acknowledges and agrees that the Terms and Conditions of SERVICE ORDER is adequate for performance of the SERVICES, and (ii) understands that SUPPLIER's failure to complete the SERVICES within the Terms and Conditions of SERVICE ORDER will occasion loss and damage to CLIENT.
3. SUPPLIER shall give written notice to CLIENT of any anticipated delay. In case of actual or anticipated delay, CLIENT may terminate the SERVICE ORDER in manner as specified in the Article headed TERMINATION.
4. SUPPLIER shall be responsible for and bear all risks and relevant costs and damages and/ or loss caused to CLIENT arising out of or relating to SUPPLIER's breach of this Article.
5. SUPPLIER shall be responsible for any incremental installation cost and/ or transportation cost and/ or any other reasonable cost/ expenses resulting from late performance and/ or completion of SERVICES.

### **ARTICLE 4 - FORM OF SERVICE ORDER**

1. CLIENT shall not be liable for any orders or amendments other than those issued or confirmed on CLIENT's official printed SERVICE ORDER and any amendment thereto.
2. CLIENT may make changes in the SPECIFICATIONS or drawings, including additions to or deletions from the quantities of SERVICES originally ordered. If any such changes affect the amount due and/or the time of performance hereunder, an equitable adjustment shall be made as mutually agreed by SUPPLIER and CLIENT, to the amount due and/or the time of performance, as the case may be by the issuance of CLIENT's Change Order.
3. Authorized Change Order requests made after placement of SERVICE ORDER shall be priced properly justified and immediately submitted to CLIENT for approval. CLIENT reserves the right to accept or reject any or all requests.

### **ARTICLE 5 - DEFECTIVE OR DEFICIENT OF SERVICES**

1. If the performance of SERVICES is defective or deficient or SUPPLIER otherwise fails to perform SERVICES in accordance with the Terms and Condition of SERVICE ORDER (each such occurrence, a "Defect"), SUPPLIER shall, at its expense and within 48 hours' notice from CLIENT, correct any Defect and, to the extent incurred by CLIENT, pay or reimburse CLIENT for all labor and the actual delivered cost of all materials, equipment, and machinery required to correct the Defect. Any payments otherwise due to SUPPLIER shall be suspended until SUPPLIER corrects the Defect to CLIENT's satisfaction. If SUPPLIER fails to correct any Defect within 48 hours after receipt of written notice from CLIENT, CLIENT may, without prejudice to any other remedies CLIENT may have, (i) order SUPPLIER to stop performing any or all of the SERVICES, and/ or (ii) perform or reperform SERVICES, or engage a third party to do the same, with all costs incurred by CLIENT in connection with the performance or reperformance of SERVICES to be deducted from amounts otherwise payable to SUPPLIER. If amounts then or thereafter payable to SUPPLIER are insufficient to cover such costs, SUPPLIER shall pay the difference to CLIENT. If SERVICES are defective or deficient to the extent that it is not technically or economically feasible to correct such Defect, SUPPLIER shall be liable to CLIENT for all losses, damages, costs and expenses arising directly or indirectly from such Defect.
2. In case of SUPPLIER's failure under this Article shall be deemed a breach of the SERVICE ORDER and CLIENT reserves the right to terminate the SERVICE ORDER or refuse to accept SERVICES respectively.

### **ARTICLE 6 - EXPEDITING**

1. CLIENT or its appointed third party shall have the right to visit SUPPLIER's mill and plant and those of Sub-SUPPLIER(s) for expediting purposes at any time prior to the commencement of SERVICES. SUPPLIER and its Sub-SUPPLIERS shall provide access to their works at all times to CLIENT or its appointed third party. SUPPLIER's Sub-orders must carry a note to this effect.
2. Expediting of the SERVICE ORDER and SUPPLIER's Sub-orders by CLIENT or its appointed third party does not relieve Sub-SUPPLIER(s) from their responsibilities to ensure that all Sub-orders are delivered to SUPPLIER's works or plant by the due date.

**ARTICLE 7 - INSPECTION**

1. CLIENT or its appointed third party shall have the right to inspect, witness tests and survey the quality of SERVICES at SUPPLIER's and its Sub-Suppliers' plants at any time during manufacturing of SERVICES. SUPPLIER is required to provide every facility for such right to CLIENT or its appointed third party. SUPPLIER's Sub-orders to its Sub-SUPPLIER(s) shall carry a note to this effect. SUPPLIER's failure to instruct Sub-SUPPLIER(s) of the right to CLIENT or its appointed third party to make plant visit for Quality Assurance purposes at any time prior to the commencement of SERVICES may result in rejection of SERVICES manufactured at Sub-SUPPLIER(s)' plants.
2. SUPPLIER shall include in all orders to Sub-SUPPLIER(s) those SPECIFICATIONS included with the SERVICE ORDER, which governs the manufacturing, or testing of SERVICES produced by each Sub-SUPPLIER(s). Such SPECIFICATIONS, data or other technical description shall be available for review by CLIENT or its appointed third party at the Sub-SUPPLIER's facility.
3. Should any inspected or tested SERVICES fail to conform to the SPECIFICATIONS, CLIENT may reject them and SUPPLIER shall either replace the rejected SERVICES or make all the alternations necessary to comply SPECIFICATIONS requirements free of cost to CLIENT.
4. CLIENT shall reserve right to inspect, test and, where necessary, reject SERVICES after the commencement of SERVICES and shall in no way be limited or waived by reason of SERVICES having previously been inspected, tested and passed by CLIENT or its appointed third party prior to the commencement of SERVICES.
5. Nothing in this Article shall in any way release SUPPLIER from any warranty or other obligations under the SERVICE ORDER.

**ARTICLE 8 - SPECIFICATIONS CHANGES**

1. CLIENT must be advised of all changes in the SPECIFICATIONS or method of construction of SERVICES supplied before such changes are implemented. In the event of CLIENT accepting the change, a written approval will be sent to SUPPLIER.

**ARTICLE 9 - PAYMENT**

1. SUPPLIER shall submit its invoice after SERVICES has been completed by SUPPLIER. Unless otherwise stated in the SERVICE ORDER, CLIENT shall subject to any dispute over the invoice make payment within forty five (45) days after receipt of SUPPLIER's undisputed invoice. If the forty fifth (45th) day falls on a Saturday or Sunday or a gazette S.R. Vietnam public holiday, the next working day shall be deemed to be the due date of payment.
2. Payments in respect of disputed items may be withheld by CLIENT until the settlement of the dispute by mutual agreement. Payments made by CLIENT shall not preclude the right of CLIENT to thereafter dispute any of the items invoiced.
3. In the event that CLIENT disputes any items on a particular invoice, CLIENT shall only be entitled to withhold from payment the actual amount in dispute. If CLIENT disputes any items on an invoice, CLIENT shall inform SUPPLIER of the disputed item within forty five (45) days of the receipt by CLIENT of that particular invoice.
4. CLIENT shall be entitled to withhold payment if any of SUPPLIER's invoices which do not include sufficient supporting documentation required by CLIENT.
5. SUPPLIER shall advise CLIENT on its account details and/or any changes to its account details if any by an at least 15 days in advance notice. Should SUPPLIER fail to give such notice in due time to CLIENT, SUPPLIER shall bear all risks associated with wrong/incorrect money transfer made by CLIENT.

**ARTICLE 10 - TAXES AND DUTIES**

1. SUPPLIER shall be responsible to pay all taxes, duties, assessments, royalties, fees or other charges levied by any government authorities of S.R. Vietnam or any other countries on account of or in relation to or in connection with the SERVICE ORDER and SUPPLIER shall indemnify and hold CLIENT harmless from and against any liabilities arising out of due to failure of SUPPLIER to fulfill this obligation.
2. CLIENT shall have the right to deduct sums from monies due to SUPPLIER hereunder for the aforesaid payment as required by law. Such withholding shall relieve CLIENT of further obligation with respect to any amount withheld.

**ARTICLE 11 - SUSPENSION**

1. CLIENT shall have the right to suspend the SERVICE ORDER for the following reasons: (i) Force Majeure as specified in the Article headed FORCE MAJEURE; (ii) in the event of any complete or partial stoppage of the relevant projects of CLIENT; (iii) failure on part of SUPPLIER to perform any obligation as per the SERVICE ORDER. Such suspension shall remain in force until such time that the above reasons are no longer applicable or otherwise when waived in writing by CLIENT.

**ARTICLE 12 - TERMINATION**

1. CLIENT may terminate the SERVICE ORDER at any time by giving written notice to SUPPLIER. Upon receipt of such notice, SUPPLIER shall cease supply of SERVICES and CLIENT shall pay SUPPLIER a fair price with proper supporting evidences for any SERVICES performed at the date when such notice is given. In case of such termination, SUPPLIER shall (i) use its best endeavors to effect the immediate cancellation of orders which it may have placed with others and discontinue all works of SERVICES, and (ii) upon CLIENT's request, deliver to CLIENT any or all the work, drawings, SPECIFICATIONS, data sheet and other matters that SUPPLIER may have prepared for the performance of SERVICES and all materials, supplies and equipment paid for by CLIENT either directly or in directly, and CLIENT shall have the right to make use of same for such purposes as CLIENT may desire, and (iii) not be entitled to any prospective profits or incidental, indirect, consequential or other damages because of termination.
2. In the event the CLIENT terminates the CLIENT ORDER in whole or in part in any of the following cases: (i) SUPPLIER's failure to meet the timing as specified in the Article headed TIME OF THE ESSENCE, (ii) SUPPLIER's failure to performance and/ or complete SERVICES as specified in the Article headed DEFFECTIVE OR DEFFICIENT OF SERVICES, SUPPLIER shall compensate CLIENT for all losses and/ or damages arising from such SUPPLIER's breach of SERVICE ORDER and shall pay to CLIENT the agreed and liquidated damages as stipulated Article headed LIQUIDATED DAMAGES. Payment for all compensation and agreed and liquidated damages shall be made to CLIENT within 10 (ten) days upon the CLIENT's first written request.

#### ARTICLE 13 - STANDARDS AND MATERIALS

1. SUPPLIER shall perform SERVICES in a thorough and workmanlike manner and to the satisfaction of CLIENT.
2. All workmanship, parts, materials, equipment and machinery furnished by SUPPLIER in connection with SERVICES must be of good quality, and new. SUPPLIER shall repair, or remove and replace, at SUPPLIER's own expense and at CLIENT's convenience, all workmanship, parts, materials, equipment or machinery that prove to be defective at any time within one year following satisfactory completion of SERVICES.

#### ARTICLE 14 - HEALTH, SAFETY AND ENVIRONMENT (HSE)

1. SUPPLIER shall be responsible for the HSE of all persons engaged in the performance of SERVICES and all persons who may be affected by activities of SUPPLIER and shall comply with all the HSE regulations and procedures.

#### ARTICLE 15 - WARRANTY

1. SUPPLIER represents, warrants and agrees that SERVICES performed by SUPPLIER shall be conducted and completed in conformity with all requirements of the Terms and Conditions of SERVICE ORDER and in a manner that complies with all the applicable laws, regulations, ordinances and codes.
2. CLIENT's inspecting, testing, witnessing tests, paying invoices or issuing any final acceptance shall not relieve SUPPLIER from its obligations set forth in this Article.

#### ARTICLE 16 - LIABILITIES AND INDEMNITIES

1. SUPPLIER shall be responsible for and shall protect, indemnify and save CLIENT harmless from and against any claims, demands and causes of action for damage to any property as well as death of and/or personnel injury to any person arising out of the act or omission to act, negligent or otherwise, of SUPPLIER, SUPPLIER's employees and SUPPLIER's agents in connection with the execution of the SERVICE ORDER.
2. SUPPLIER shall be liable for, indemnify and hold CLIENT (including CLIENT's officers, directors, employees or agents), harmless from all damages, claims, losses, expenses and/or reasonable attorneys fees including, but not limited to, suits or claims for damages for death, human bodily injury or other property resulting from any defects of SERVICES even if the quality of SERVICES conforms to the SPECIFICATIONS and has passed the inspection by CLIENT.

#### ARTICLE 17 - LIMITATION OF LIABILITY

1. Neither Party shall be liable to the other for any indirect or remote losses of any kind or for damages for loss of anticipated revenue or profits, nor any special, punitive, exemplary or consequential damages, including, but not limited to, loss of SERVICES, cost of capital, cost incurred in connection with labor, overhead, general administrative, transportation, substitute facilities, support sources or other similar damages.

#### ARTICLE 18 - INSURANCE

1. SUPPLIER shall procure and maintain, from an insurer acceptable to CLIENT, the insurance coverage described in this Article, as such coverage requirements may be modified by any additional or different coverage set forth in the SERVICE ORDER. Such insurance is to be primary with respect to any other similar insurance available to CLIENT, regardless of the provisions of such insurance, and is to name CLIENT and its AFFILIATES as additional insureds; provided, however, that any insured coverage, including, but not limited to, any additional insured coverage, will not include coverage to the extent that it constitutes a prohibited indemnity agreement under applicable law. All policies on which CLIENT and its AFFILIATES are additional insureds must include waivers of subrogation by the insurers in favor of CLIENT and its AFFILIATES. Prior to commencement of SERVICES, SUPPLIER shall furnish to CLIENT certificates and additional insured endorsements evidencing the specified insurance. If requested by CLIENT, SUPPLIER shall furnish to CLIENT certified copies of the insurance policies themselves. Such certificates must provide that at least 30 days' prior written notice of any policy cancellation or material change be given to CLIENT. Any losses, whether or not covered by the insurance described in this Article or within the deductible of such insurance, shall be the responsibility of SUPPLIER to the extent that such losses are covered by the provisions of Article headed LIABILITIES AND INDEMNITIES or any other provision of the Terms and Conditions of SERVICE ORDER.
2. SUPPLIER shall procure and maintain: (i) Workmen's Compensation Insurance covering personal injury to or death of the employees of the SUPPLIER engaged in the performance of SERVICES to the minimum value required by any applicable legislation including extended cover (where required) for working onshore and/ or offshore or such greater sum not less than one million US dollars (US\$1,000,000) per any one occurrence and unlimited in the aggregate; (ii) Public Liability Insurance for any incident or series of incidents covering the operations of SUPPLIER in the performance of SERVICES, in an amount not less than five million US dollars (US\$5,000,000) per any one occurrence and unlimited as to the number of claims in the period of insurance; (iii) any other insurance(s) which may be required CLIENT in the SERVICE ORDER or by law.

**ARTICLE 19 - LIENS AND CLAIMS**

1. SUPPLIER shall indemnify and hold CLIENT harmless from all liens, claims, assessments, fines and levies created, caused or committed by SUPPLIER or by its Sub-SUPPLIER(s) and all costs, damages and expenses incidental thereto, including without limitation all court and arbitration costs, attorney's fees and other reasonable expenses.

**ARTICLE 20 - FORCE MAJEURE**

1. Neither SUPPLIER nor CLIENT shall be liable to other Party for any breach of the Terms and Conditions of the SERVICE ORDER where such breach occurs as a result of a Force Majeure.
2. The events falling within Force Majeure include but are not limited to Acts of God or force of nature, landslide, lightning, earthquake, flood, fire, explosion, storm or storm warning tidal wave, shipwreck and perils to navigation, act of war (declared or undeclared) or public enemy, strike act (excluding strikes, lockouts or other industrial disputes or action solely amongst employees of SUPPLIER or its sub-SUPPLIER(s) or omission of sovereign states or those purporting to represent sovereign states, blockade, embargo, quarantine, public disorder, sabotage or similar events beyond the control of the Parties or either of them. Force Majeure shall exclude financial distress on the part of SUPPLIER or its sub-SUPPLIER(s).
3. Subject to the above, a Party claiming the benefit or protection of this Article, without delay, takes all reasonable steps to remove its inability to comply with the provisions of the SERVICE ORDER.

**ARTICLE 21 - AMENDMENTS**

1. CLIENT and SUPPLIER shall mutually agree in writing to any amendments to the SERVICE ORDER. In the event of any conflict or inconsistency between the Terms and Conditions of the SERVICE ORDER and the attachments to the SERVICE ORDER, the Terms and Conditions of SERVICE ORDER shall prevail.

**ARTICLE 22 - ASSIGNMENT AND SUBCONTRACTING**

1. CLIENT shall not be liable for any orders other than those issued or confirmed on the CLIENT's official written SERVICE ORDER or any amendment thereto. SUPPLIER shall not assign or subcontract any part of the SERVICE ORDER, without the prior written approval of CLIENT. Un-priced copies of any such orders should be supplied to CLIENT on request. SUPPLIER shall procure for CLIENT the right to enter the sub-contractor's premises for the purpose of expediting and inspection.

**ARTICLE 23 - CONFIDENTIALITY**

1. Any SERVICE ORDER placed by CLIENT shall be treated as confidential and in particular SUPPLIER shall not make use of CLIENT's name or the name of any companies associated with CLIENT for publicity purposes without the prior written consent of CLIENT. Furthermore, all designs, drawings, SPECIFICATIONS and information which may be supplied in connection with the SERVICE ORDER are confidential and must only be used for the purpose of the SERVICE ORDER.
2. No public statements, announcements or circulars regarding the SERVICE ORDER or the activities of the Parties relating thereto shall be made or issued by or on behalf of SUPPLIER without the prior written approval of CLIENT.

**ARTICLE 24 - PATENT INDEMNITY**

1. SUPPLIER shall indemnify CLIENT against any claim of infringement of patents, registered designs or other rights which arise as a result of the sale or use of SERVICES supplied by SUPPLIER. This indemnity shall not extend to instances in which SERVICES concerned have been supplied to CLIENT.
2. SUPPLIER is obliged to secure that the ownership rights to SERVICES are not disputed by a third party. In case there is any dispute by a third party, SUPPLIER shall take side with CLIENT in order to protect CLIENT's interests. If the third party is entitled to own part or the whole of SERVICES, CLIENT shall be entitled to cancel the SERVICE ORDER and SUPPLIER shall compensate CLIENT for all damage including, but not limited to the refund of SERVICE ORDER price, liquidated damage, legal cost, and attorney fees.

**ARTICLE 25 - VENDOR DATA REQUIREMENTS AND SUBMITTAL**

1. Drawings and vendor data are to be submitted in strict compliance with the SPECIFICATIONS. If for any reason, the transmission of drawings and vendor data shall be delayed, CLIENT is to be informed immediately in writing, giving reason in for such delay. All drawings and vendor data shall be delivered to CLIENT by hand or through courier service. All preliminary, intermediate and final drawings and vendor data to be furnished shall be subjected to expediting by CLIENT or its appointed SUPPLIER.

**ARTICLE 26 - LIQUIDATED DAMAGES**

1. Should SUPPLIER fail to (i) meet the timing as specified in the Article headed TIME OF THE ESSENCE and/ or (ii) performance and/ or complete SERVICES as specified in the Article headed DEFECTIVE OR DEFFICIENT OF SERVICES, SUPPLIER shall have to pay CLIENT the agreed and liquidated damages at the rate of 2 % (two percent) of the SERVICE ORDER value per week of delay in performance or in replacement or repair up to maximum of 8% (eight percent) of the SERVICE ORDER value.
2. The rate of agreed and liquidated damages is not subject to any alteration by Arbitration or any third parties. The amount of agreed and liquidated damages may be deducted by CLIENT from SUPPLIER's Invoices while effecting the payment. Should CLIENT fail to deduct the sum of money of agreed and liquidated damages from the SUPPLIER's Invoice, SUPPLIER shall have to pay it immediately but not later than ten (10) days upon the CLIENT's first written request.

**ARTICLE 27 - SPECIAL CONDITIONS**

1. Where special conditions are set forth on the front of the SERVICE ORDER, those conditions shall apply equally with the general conditions shown above except that where there is any inconsistency between the general and special conditions the special conditions shall apply.

**ARTICLE 28 - APPLICABLE LAW AND ARBITRATION**

1. The SERVICE ORDER and all questions concerning its formation, validity, interpretations and performance shall be governed under the Laws of the S.R. Vietnam.
2. Any disputes arising out of or in connection with any SERVICE ORDER which could not be settled through negotiation between the two Parties shall be finally settled by the Vietnam International Arbitration Center (VIAC) besides Vietnam Chamber of Commerce and Industry (VCCI) under VIAC Arbitration Rules for final settlement. The place of Arbitration shall be in Ho Chi Minh City, Vietnam. The Arbitral Board shall be three (3) arbitrators and the language of Arbitration shall be English. The costs of Arbitration shall be borne by the losing Party. The award made in accordance with the provisions of this Article shall be final and binding upon two Parties.

**ARTICLE 29 - LANGUAGE**

1. All documents produced by SUPPLIER in the performance of the SERVICE ORDER as well as all written communications between CLIENT and SUPPLIER shall be written in the English language which is hereby designated the governing language of the SERVICE ORDER. SUPPLIER and CLIENT may use any language within their own organizations, except that all Sub-contracts and all written communications pertaining to them shall be in English.

**ARTICLE 30 - ENTIRE AGREEMENT**

1. The Terms and Conditions set out herein, together with any subsequent amendments made in accordance with Article headed FORM OF SERVICE ORDER and any and all designs, drawings, SPECIFICATIONS and information which may be supplied in relation to the SERVICE ORDER represent the entire Terms and Conditions of the SERVICE ORDER between CLIENT and SUPPLIER. Failure of either Party to enforce any of the Terms and Conditions of the SERVICE ORDER shall not prevent a subsequent enforcement of such Terms and Conditions or be deemed to be a waiver of any subsequent breach. Should any provision of the SERVICE ORDER, or a portion thereof, be unenforceable or in conflict with governing country, state, province, or local laws, then the validity of the remaining provisions, and portions thereof, shall not be affected by such unenforceability or conflict, and the SERVICE ORDER shall be construed as if such provisions, or portion hereof, were not contained herein.
2. None of the provisions of the SERVICE ORDER shall be considered waived by CLIENT, except when waived explicitly in writing and notified to SUPPLIER. No such waiver shall be, or shall be construed to be, a waiver of any past or future default or breach, nor constitute a modification of any of the terms, provisions, conditions, or covenants of the SERVICE ORDER, except as expressly stated in such waiver.

# ATTACHMENT NO.1 TO RFQ No. PVEPPOC-26-10093

## SCOPE OF WORK

for

Services of replacement for the import floating hose string, export floating hose string, and mooring hawser system at Dai Hung Field

### 1. Purpose

For replacement of the FSO mooring system, import floating hose string, and export floating hose string of Dai Hung field, PVEP-POC is looking for the Contractor to supply the services to meet the requirement.

### 2. Technical requirements:

The main work scope shall include but not limited to:

- Mobilize manpower and equipment to PTSC Downstream Port;
- Load out equipment, air compressor;
- Sailing to field;
- Setup on CALM buoy, standby;
- Transfer manpower to CALM buoy;
- Un-install off buoy mooring system, recover to vessel deck;
- Un-install import floating hose string from CALM buoy into section, recover to vessel deck;
- Recover manpower from CALM buoy. After the supply vessel clear from CALM buoy:
  - a) *the off buoy mooring system shall be separated into sections:*
    - 1<sup>st</sup> section: yoke + delta plate + dual clevis,*
    - 2<sup>nd</sup> mooring hawser,*
    - 3<sup>rd</sup> chain bridle (take the support buoys out of the chain bridles).*
  - b) *Import floating hose: continue to separate one by one: J-tube, hoses, valve, and spool piece.*
- Sailing back to port;
- Offloading cargoes;
- Load out export and import hoses as client's plan and pre-assembly;
- Load out mooring hawser system as client's plan and pre-assembly;
- Sailing to field;
- Transfer manpower to CALM buoy;
- Install import floating hose string;
- Install mooring hawser system;
- Recover the equipment and manpower from CALM buoy, standby;
- Along starboard quarter of FSO to take the export hose string;
- Recover the first section on deck, lashing then move to safe place;

- Recover hose on deck section by section;
- Replace some main line hoses in the string;
- Release hose to water section by section;
- Keep the first section on deck, lashing the move back to the starboard quarter of FSO;
- Transfer the hose string to FSO;
- Move out and waiting for leak test string;
- Sailing to PTSC Downstream Port;
- Demobilize equipment, manpower.

*Note: The contractor will be held responsible for their own fault if the leak test (import hose strings and export hose strings) is unsuccessful.*

### **3. Condition for work performance:**

The following operational criteria shall apply for the weather window:

- Waves: maximum Hs: 2.0 m
- Wind: maximum velocity: 20 knots
- Current: maximum velocity: 1.5 knots

For the safety reason and regulation when working on CALM buoy, the work is not allowed to carry out at night (normally from 6PM to 6AM).

### **4. Other requirements:**

Contractor shall provide in technical proposal:

- Full scope of work;
- Procedures for works;
- Schedule of works;
- Man powers: 01 supervisor, 02 leaders with at least two years of experience, 14 riggers/fitters/welders for working offshore; sea sick workers are not accepted. They are holding valid health check and BOSIET. Document of manpower shall be submitted for evaluation in USB;
- Equipment and tool which are suitable and enough for carrying out the work. The equipment and tool list shall be submitted in proposal;
- Portable air compressor with:
  - + the output power is at least 7kg
  - + air hose 2" about 100m
  - + air hose connector suitable with the winch on CALM buoy and air compressor.

### **5. Works and equipment can be provided by Client:**

- Fork-lift truck or Crane (if required) at PVEP POC Base for pre-installation;
- Crane to lift on/off the hoses, mooring hawsers and equipment;
- FRC and crew for supporting Contractor in field;
- Stud bolts c/w nuts and gaskets for installation of floating hose string;

- Supply vessel(s) for carrying out the tasks including meal and accommodation;
- MGO for running the air compressor at field;
- Meal and accommodation for Contractor's manpower on vessel.

**6. Safety and Environmental requirements:**

- 6.1 The risks to personnel and subsea facilities (Flow-lines, Umbilical, Wellheads and X-mas trees) shall be assessed and minimized in accordance with Dai Hung Formal Safety Case.
- 6.2 A Safety and Environmental management plan shall be developed for the service operations and approved by PVEP POC and to interface with those prevailing in PVEP POC.

**7. Qualification of contractor:**

- 7.1 Contractor shall be appropriately qualified and experienced on such work with work histories detailed.
- 7.2 Current resumes of all personnel to be utilized shall be submitted. Substitution of personnel shall be at PVEP POC's approval.

**8. Tentative schedule for works:**

- By 10/5/2026 or by another date as mutually agreed, CONTRACTOR is ready to carry out the works.
- PVEP-POC will call the Services via official letter or mail.

**BID SUBMISSION FORMAT FOR**

**Services of replacement for the import floating hose string, export floating hose string, and mooring hawser system at Dai Hung Field**

**RFQ No.: PVEP-POC-26-10093**

**1. PROPOSAL FORMAT**

- 1.1 BIDDER is to strictly adhere to the proposal format as set out below. **BIDDER must ensure that the "TECHICAL UNPRICED (TECHNICAL)" does not contain any pricing or cost. Failure to comply with these instructions may render BIDDER's proposal invalid.**
- 1.2 BIDDER is to submit the proposal in One (01) separate sealed package, with two (02) parts as follows:
- a) Technical Unpriced (Technical)
  - b) Priced (Commercial)
- 1.3 **CONTENTS OF TECHNICAL UNPRICED (TECHNICAL)**  
Unpriced package shall include but not limited to the following:

<b>SECTION</b>	<b>CONTENT</b>
Section 1	<p><b>PROPOSAL LETTER</b></p> <p>The Proposal Letter shall be prepared and fully filled by BIDDER and must be signed by the authorized representative of BIDDER (the representative at law of the BIDDER or the authorized person with legal Power of Attorney). In case of authorization, BIDDER shall enclose the following instruments and documents to prove the legitimacy of the authorized person:</p> <ul style="list-style-type: none"><li>a. In case of independent BIDDER: Power of Attorney signed by the Representative at law of BIDDER authorizing the authorized person to sign the Proposal Letter;</li><li>BIDDER participates in bid must be legally and financially independent with Investor and/or Procuring Entity. Failure to comply with such requirement may be considered as disqualified.</li><li>b. In case of Consortium: Proposal Letter shall be signed by the Representative at law of each Consortium Partner, unless the Consortium Agreement stated that the Consortium Partners have authorized the representative at law of Leading Partner of the Consortium to sign Proposal Letter. If each Consortium Partner has authorized such Representative, the same requirements as independent BIDDER shall be applied.</li></ul>
Section 2	<p><b>BIDDER'S ELIGIBILITY, EXPERIENCES &amp; CAPACITY</b> (Not applicable for this RFQ)</p> <p>BIDDER shall provide the following documents proving BIDDER's eligibility, experiences, and capacity:</p> <ul style="list-style-type: none"><li>(i) BIDDER's Organization</li><li>(ii) BIDDER's Experience;</li></ul>

SECTION	CONTENT
	(ii) Company Profile; <b>BID BOND</b> (Not applicable for this RFQ)
Section 3	<b>TECHNICAL PROPOSAL</b> BIDDER shall provide the following documents to prove the suitability (compliance) of "GOODS": <ol style="list-style-type: none"> <li>1. Detailed List of GOODS in compliance with RFQ and Technical Requirements attached herewith;</li> <li>2. Supply Schedule in compliance with RFQ and Technical Requirements attached herewith;</li> <li>3. Technical documents such as quality standard, features, technical specification, warranty parameters of each type of GOODS (attach drawings for description, if necessary);</li> <li>4. the origin of GOODS as stipulated in RFQ, code, trademark of the product, and related documents proving the eligibility of GOODS;</li> <li>5. other requirements as stipulated in RFQ and Technical Requirements;</li> </ol>
Section 4	<b>BIDDER'S UNPRICED EXCEPTIONS AND ALTERNATIVES</b> <ol style="list-style-type: none"> <li>a. If BIDDER has no exception and alternative proposal, BIDDER shall have the following statements prominently displayed in capital letters under this section: "THIS PROPOSAL COMPLIES WITH ALL TERMS AND CONDITIONS OF THIS CONTRACT, EXHIBITS AND REQUIREMENTS IN THIS RFQ" or</li> <li>b. If BIDDER has alternative proposal on this bid documents, BIDDER shall display the following statement in capital letters under this section: "THIS PROPOSAL INCLUDES EXCEPTIONS AND ALTERNATIVES WHICH ARE LISTED ON THE FOLLOWING PAGES."</li> <li>c. BIDDER shall present a complete and detailed listing of non-compliance to the RFQ in total indicating the delivery impact only, if any, but without indicating the cost impact. The format of presentation shall be as per the attached BIDDER's EXCEPTION TO TERMS AND CONDITIONS and BIDDER's EXCEPTION TO EXHIBITS.</li> </ol>

#### 1.4 CONTENTS OF PRICED (COMMERCIAL)

Every page of BIDDER's price proposal must bear BIDDER's company seal. Priced package shall include the following:

SECTION	CONTENT
Section 1	<b>PROPOSAL LETTER</b> As attached here-with.

Section 2	BIDDER is requested to submit the following with prices & schedule attached <b>Request For Quotation No. PVEPPOC-26-10093.</b>
Section 3	<p><b>BIDDER's PRICED EXCEPTIONS AND ALTERNATIVES.</b></p> <p>a. If BIDDER has no exception and alternative proposal, BIDDER shall have the following statements prominently displayed in capital letters under this section: "THIS PROPOSAL COMPLIES WITH ALL TERMS AND CONDITIONS OF THIS CONTRACT, EXHIBITS AND REQUIREMENTS IN THIS RFQ" or</p> <p>b. If BIDDER has alternative proposal on this bid documents, BIDDER shall display the following statement in capital letters under this section: "THIS PROPOSAL INCLUDES EXCEPTIONS AND ALTERNATIVES WHICH ARE LISTED ON THE FOLLOWING PAGES."</p> <p>BIDDER shall present a complete and detailed listing of non-compliance to the RFQ in total indicating the delivery impact and cost impact, if any. The format of presentation shall be as per the attached BIDDER's EXCEPTION TO TERMS AND CONDITIONS and BIDDER's EXCEPTION TO EXHIBITS as set out in BIDDING FORMS.</p>

## **2. SUBMISSION OF PROPOSAL**

2.1 Technical Unpriced (Technical) and Priced (Commercial) shall consist of:

- a) **One (1) original and one (1) copy** of each part wrapped separately and clearly marked with the word "TECHNICAL UNPRICED" or "COMMERCIAL PRICED" on the cover of the respective wrapping and All put together in one (1) big package with title in item 2.7.
- b) **One (1) native** copy containing Technical Unpriced (Technical) and **one (1) native** copy containing Priced (Commercial) with label having BIDDER name, Tender title and number (if any). The native copy shall be wrapped and sealed separately and marked with the word "UNPRICED PACKAGE" or "PRICED PACKAGE" on the covers of the packages. The soft Proposal documents shall be in native file format (Microsoft Word® and Microsoft Excel®).

In the event of discrepancy between the original set and the copies, the original set shall prevail.

2.2 BIDDER shall ensure that all proposals or submissions to CLIENT, pertaining to the enquiry are properly sealed and that the cover of each package is clearly marked in **bold letters** with the following wordings:

- (a) RFQ number and the title.
- (b) BIDDER's name and return address.
- (c) "TECHNICAL UNPRICED PACKAGE" or "PRICED PACKAGE".
- (d) "PRIVATE AND CONFIDENTIAL"

2.3 **All communications and correspondence with regard to RFQ and clarification shall be made to the following address:**

**DOMESTIC PETROLEUM OPERATING BRANCH - PETROVIETNAM  
EXPLORATION PRODUCTION CORPORATION LIMITED**

15<sup>th</sup> Floor, Victory Tower

12 Tan Trao Street, Tan My Ward

Ho Chi Minh City, S.R Vietnam

Tel: (84-28) 5416 5050 Fax : (84-28) 5416 0616

Attention : **Planning & Procurement Department Manager**

All communications with regard to bid clarifications shall be made in writing and must indicate the RFQ number and title and send to the address given above. Such bid clarifications shall reach the address given above **at least five (05) days** prior to the Bid Closing Date. CLIENT shall preserve the right not to respond to bid clarifications received later than the above mentioned time.

For any further information, please contact the email address: [cuongvt@pvpe.com.vn](mailto:cuongvt@pvpe.com.vn)

**Submission of Quotation Proposal shall be made to the following address:**

**DOMESTIC PETROLEUM OPERATING BRANCH - PETROVIETNAM  
EXPLORATION PRODUCTION CORPORATION LIMITED**

15<sup>th</sup> Floor, Victory Tower , 12 Tan Trao Street, Tan My Ward

Ho Chi Minh City, S.R Vietnam

Tel: (84-28) 5416 5050 Fax : (84-28) 5416 0616

Attention : **Planning & Procurement Manager**

- 2.4 BIDDER is strongly advised to deliver the proposals by hand in order to assure timely receipt by CLIENT. If BIDDER elects to mail the proposal, BIDDER is advised to use a fast and reliable delivery service e.g. courier. BIDDER should advise CLIENT by fax the date on which the proposal was mailed and details of the delivery service (if applicable).
- 2.5 Responsibility for timely delivery of the proposals to the correct address rests fully with BIDDER. CLIENT does not accept late bids submission. Delivery to the wrong address/E-mail address shall not be an excuse for late delivery.
- 2.6 BIDDER must ensure that the proposal is delivered to the address given in Item 2.3 above no later than the **bid closing date specified on the website "muasamcong.mpi.gov.vn" for this RFQ, LATE BIDS WILL NOT BE ENTERTAINED.**
- 2.7 BIDDER's proposal shall be submitted in a **separate sealed envelope or package** bearing the name of your company, clearly addressed and marked on the outside as follows:

**"STRICTLY CONFIDENTIAL"**

**Services of replacement for the import floating hose string, export floating hose string, and mooring hawser system at Dai Hung Field**

**RFQ No.: PVPE-POC-26-10093**

- 2.8 Bid Proposal as well as all correspondences and documents relating to the RFQ exchanged by BIDDER and CLIENT shall be written in English. Supporting documents and printed literature furnished by BIDDER may be in another language provided they are accompanied by an accurate translation of the relevant passages in English, in which case, for purposes of interpretation of the Bid Proposal, the translation shall govern.
- 2.9 Proposal by BIDDER shall be binding for a minimum period of **90 calendar days from the Bid Closing Date**. BIDDER may assume that the award for Contract will be made within 45 calendar days from the Bid Closing Date and BIDDER can assume that it has not been successful if no notification is received within the bid validity period. BIDDER shall state the precise date of validity in the proposal. CLIENT shall be entitled to request BIDDER to extend Bid Validity for maximum of 60 calendar days (if any) without any BIDDER's exception.

- 2.10 The proposed CONTRACT PRICE shall indicate whether it is inclusive of Vietnamese taxes (VAT, CIT, etc.) or not. In the event that the quoted prices do not specify this, they shall be treated as inclusive of all taxes.

### **3. ACCEPTANCE**

- 3.1 CLIENT may, at CLIENT option, reject all proposals received or may accept any proposal which, in CLIENT's sole judgment, is the most advantageous to CLIENT. CLIENT reserves the right to accept or reject all or part of the proposal at CLIENT's discretion and will be under no obligation to explain the reasons thereof.
- 3.2 CLIENT reserves the right to award the CONTRACT at its own discretion. Award strategy: Split award by section.
- 3.3 CLIENT shall not be deemed to have accepted all or any part of a proposal unless and until a written acceptance is issued.
- 3.4 Any award as a result of this RFQ will be through a properly executed contract issued by CLIENT. Prior to this, CLIENT may send the BIDDER a Letter of Award in order to initiate immediate placement of order. Upon receipt of the Letter of Award, BIDDER shall proceed immediately with the work mentioned in the Letter of Award.
- 3.5 Bidder with any contract performance failure record with PVEP-POC within 24 previous months from the date of issuance of this RFQ shall be excluded from the bidding of this RFQ.

### **4. PAYMENT**

- 4.1 Payments shall be made in accordance to **Article headed as INVOICING AND PAYMENT** of Contract Form attached hereto.
- 4.2 Any proposal on progress payments shall be based on "value received" or verifiable milestones and not merely the passage of time and not for merely placing the Contract.

### **5. TECHNICAL EVALUATION CRITERIA**

*(As per attachment enclosed herewith).*

**END OF SECTION**

**PROPOSAL LETTER FORM**

*Letterhead of BIDDER*

Date:

To           **DOMESTIC PETROLEUM OPERATING BRANCH - PETROVIETNAM  
EXPLORATION PRODUCTION CORPORATION LIMITED**

Attn:        Director

**Subject:**   RFQ for the Provision of .....  
RFQ No.: PVEPPOC-XX-1.....

Dear Sir

We, the undersigned, certify that we have read and understood the subject Invitation to Bid and all documents forming the Bid Document.

We acknowledge that we have thoroughly investigated, or have had the opportunity to do so, and satisfied ourselves as to all conditions affecting the GOODS and all necessary information as to risk contingencies and all circumstances influencing and affecting this Bid Document.

We offer to supply the GOODS as detailed in the Bid Package for the prices stated in our Proposal attached hereto. This offer is **valid until** ..... days from the date fixed for submitting same and shall be binding upon us and may be accepted at any time before the aforesaid date.

If our proposal is accepted, we undertake that, unless and until a formal CONTRACT is prepared and executed, this Bid Proposal, together with your written acceptance shall constitute a binding contract between us.

Yours faithfully

Correspondence from CLIENT should be  
addressed to:

Signature :

Address :

Printed Name :

Attn :

Position :

Telephone :

Company:

Telex :

Date :

Fax:

**LICENSE FOR SALE OF THE MANUFACTURER FORM**

*(if necessary, CLIENT may request such Letter.)*

Date: \_\_\_\_\_

To: **DOMESTIC PETROLEUM OPERATING BRANCH - PETROVIETNAM EXPLORATION PRODUCTION CORPORATION LIMITED** (hereinafter referred to as the "CLIENT")

Dear Sir,

Basing on the request by \_\_\_\_\_ *[name of the BIDDER]* (hereinafter referred to as "BIDDER") who participates in bidding for RFQ No. PVEP-POC -23-10272 for the Supply Electrical Spare Part for Gathering System, Offshore Vietnam.

We \_\_\_\_\_ *[name of the MANUFACTURER]*, incorporated on \_\_\_\_\_ *[specify the date of incorporation of the Manufacturer]*, are producing \_\_\_\_\_ *[list of GOODS to be supplied]* and have registered address at \_\_\_\_\_ *[address of the MANUFACTURER]*, hereby authorize BIDDER to use the products manufactured by us to offer in its RFQ.

We confirm that we will supply the all above GOODS to BIDDER for further supply to CLIENT and provide warranty for the GOODS under the Supply Contract signed between CLIENT and BIDDER.

**Legal Representative of the MANUFACTURER**

*[Specify name, title, sign and seal]*

Notes:

- (1) *Manufacturer's Authorization is applicable only for GOODS which are specific, sophisticated, if necessary, CLIENT may request such Letter.*

**(i) BIDDER'S EXCEPTIONS TO CONTRACT FORM**

<b>ARTICLE NO.</b>	<b>EXACT NEW WORDING PROPOSED BY BIDDER</b>	<b>REASON (S) FOR EXCEPTION</b>	<b>EFFECT ON DELIVERY</b>

## TECHNICAL REQUIREMENTS AND EVALUATION CRITERIA

### I. TECHNICAL REQUIREMENTS

Refer to Attachment No.1 of RFQ No. PVEPPOC-26-10093 for details.

### II. TECHNICAL EVALUATION CRITERIA:

No.	Description	Criteria	Acceptable	Not acceptable
1	Procedures for works	Major	x	x
2	Man powers	Major	x	x
3	Equipment and tool list and materials	Major	x	x
4	Qualified and experienced on such work with work histories detailed	Major	x	x
5	Schedule of works (maximum 9 days)	Major	x	x

#### Notes:

- Two Criteria of "ACCEPTABLE" and "NOT ACCEPTABLE" will be applied for criteria marked "Major".
- The Proposal will be evaluated as "Technical Acceptable" if no criteria is marked "NOT ACCEPTABLE".

### III. SCHEDULE OF RATES/PRICES

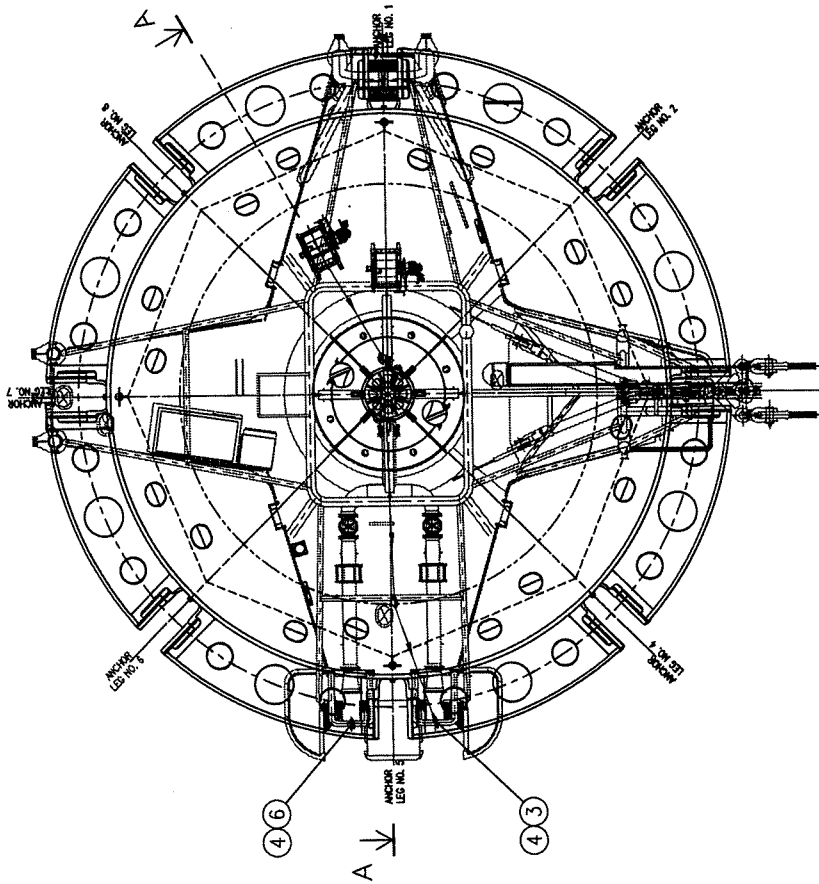
No.	Description	Unit	Quantity	Estimated Duration (Day)	Unit Price (VND)	Amount (VND)
1	Supervisor	Per day	1	9		
2	Leader	Per day	2	9		
3	Rigger/fitter	Per day	14	9		
4	Equipment, tool, consumable	Lump sum	1			
5	Air compressor	Per day	1	9		
6	Mobilization and demob	Round	1			
	<b>Total Estimated Cost</b>					
	VAT					
	<b>Total Estimated Cost (Inclusive of VAT)</b>					

#### Payment document:

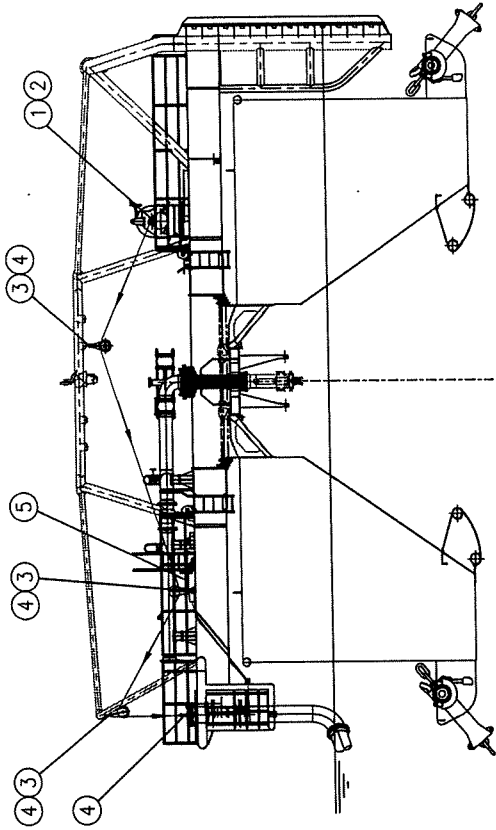
- 1) Payment request (Original);
- 2) Invoice (Original);
- 3) Acceptance protocol approved by CLIENT (original);
- 4) Certificates as required in "TECHNICAL REQUIREMENTS"







PLAN VIEW - INSTALLATION J-TUBE



SEC. A-A

**APPROVED**  
 No: 528/ĐK-CTB  
 Date: 21/10/2022  
 Approved by: Do Duc Huy

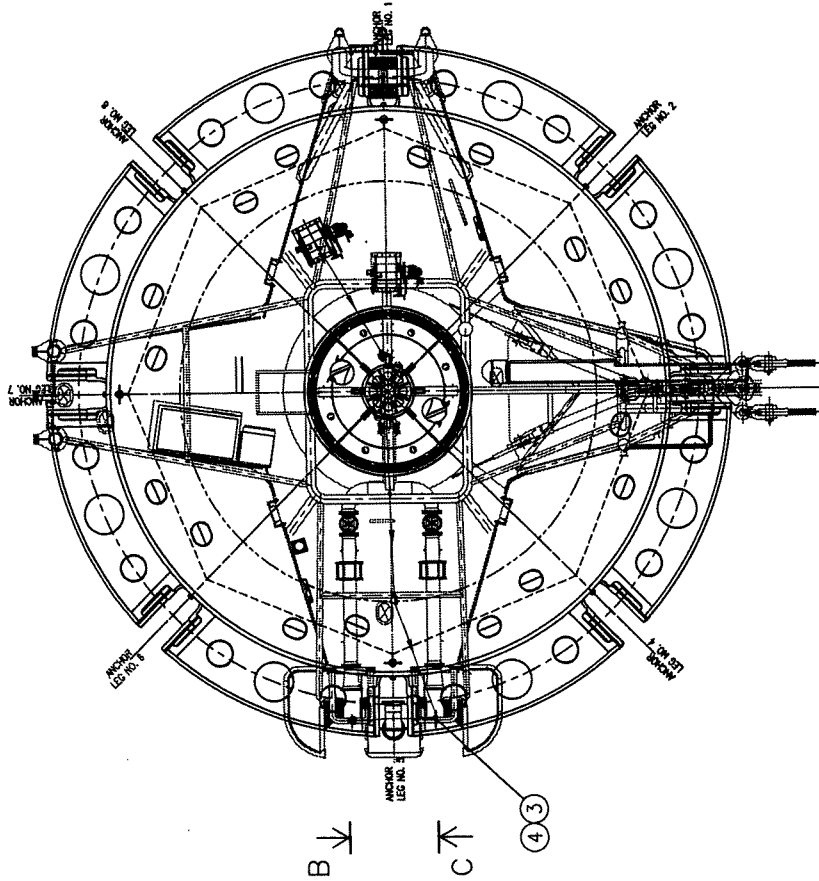
ITEM NO.	QTY	DESCRIPTION	REMARK
01	01 SET	AIR WINCH 10T-7M/MM, DRUM LENGTH 610MM	INGERSOLL RAND
02	200m	WIRE ROPE D26 (35X7)-HRC	
03	02 SETS	SMATCH BLOCK (20T) FOR WIRE ROPE D26	CROSBY-MCKESSICK STOCK NO. 121095
04	05 SETS	BOLT TYPE ANCHOR SHACKLE 13.5TON	CROSBY_G-2130 STOCK NO. 1019613
05	01 SET	GRIP HOIST 2TONS WITH SHACKLE	MANUFACTURER: TRACTEL MODEL: TD-28 GRIPHOIST
06	01 SET	HAND CHAIN HOISTS 2.7TONS	CROSBY MODEL NO. 1360280

PROJECT: PROVISION OF BASIC DESIGN OF NEW CALM BUOY  
 AT DAI HUNG FIELD, BLOCK 05-1A, OFFSHORE VIET NAM  
 DRAWING TITLE: J-TUBE INSTALLATION RIGGING ARRANGEMENT  
 DWG NUMBER: CALM-POC-0722-DW-107  
 FORMAT: A3 SCALE: 150 SHEET NO: 02 NO OF SHEETS: 04

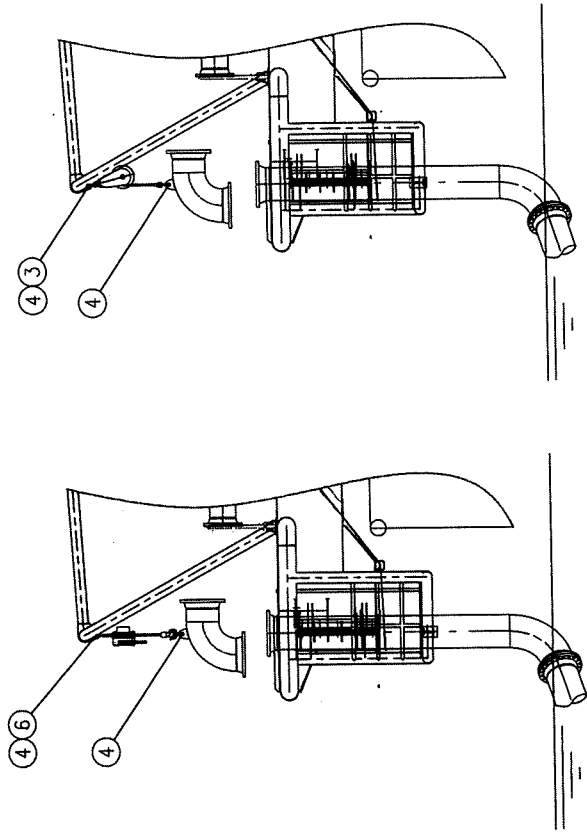
CONTRACTOR DESIGN: **VIMARTEC**  
 4th FLOOR, 2ND FLOOR, BUILDING A, HONKHO  
 SPORTS PALACE - NGUYEN HUU THUM ST.  
 HANOI CITY - VIETNAM  
 WWW.VIMARTEC.COM.VN  
 E-MAIL: VIMARTEC@VIMARTEC.COM.VN  
 PHONE: (+84) 24 35575861  
 FAX: (+84) 24 35575862

OWNER: **VYEP POC**

NOTE: THIS PRINT IS OF A CONFIDENTIAL NATURE AND IS THE PROPERTY OF VIMARTEC, INC. AND SHALL NOT BE TRACED, PHOTOGRAPHED, PHOTOSTATED OR REPRODUCED IN ANY MANNER, NOR USED FOR ANY PURPOSE WHATSOEVER EXCEPT BY WRITTEN PERMISSION OF VIMARTEC, INC. FILE NAME: XXX



PLAN VIEW - LIFTING J-TUBE COMPONENTS



SEC. C-

SEC. B-

OWNER:



CONTRACTOR DESIGN:



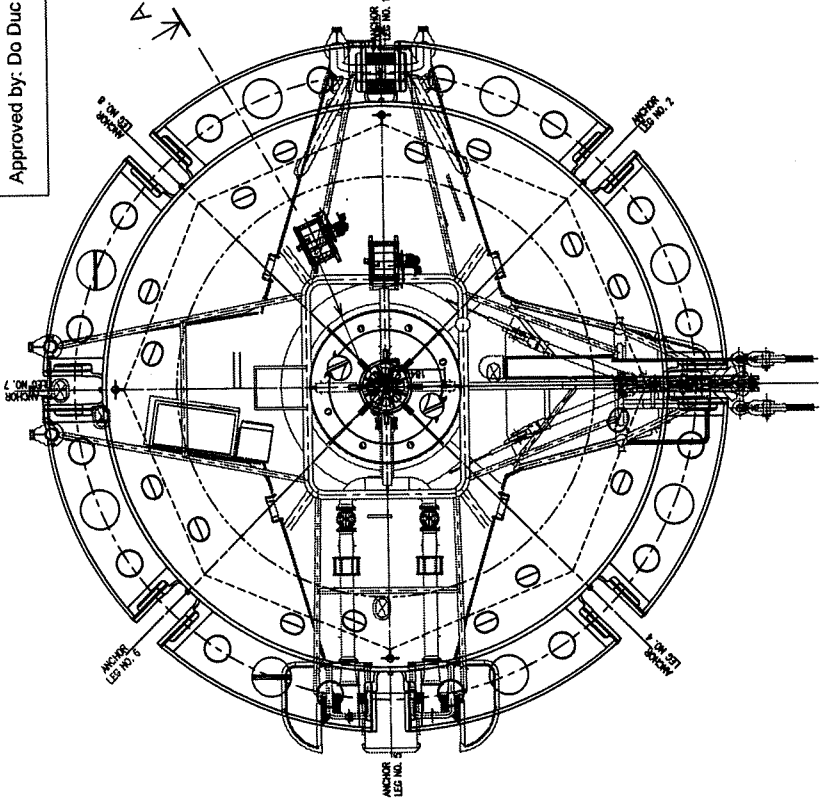
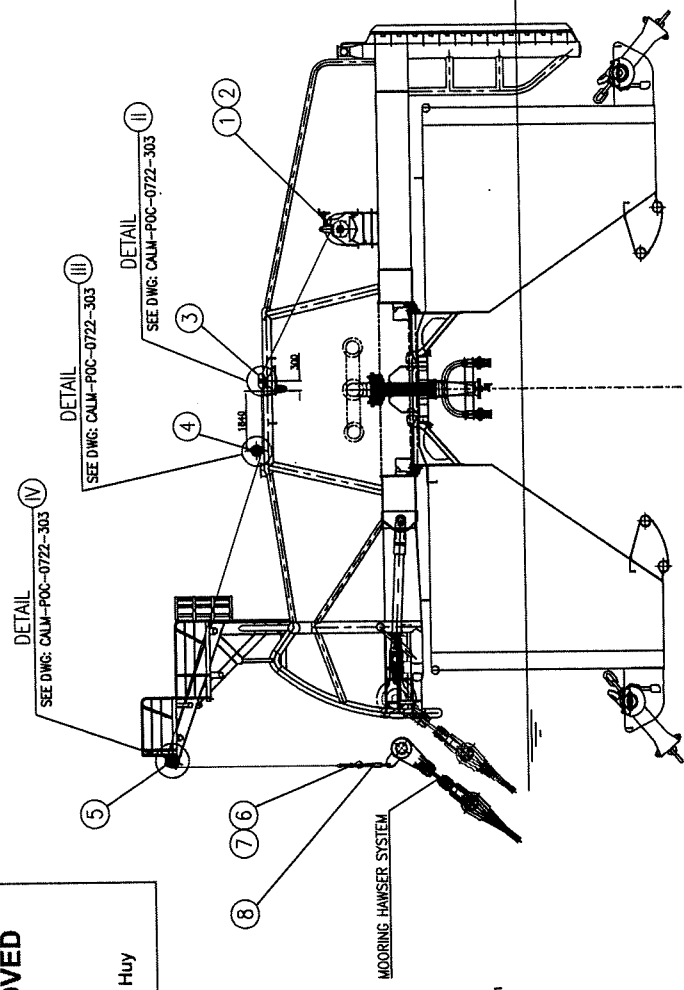
UNIT 2006, 2ND FLOOR, BUIXING A, HANGCO  
STREET WULACE - HO CHI MINH CITY, VIETNAM  
HANG COY - HANGCO  
WEBSITE: WWW.VIMARTEC.COM.VN  
E-MAIL: VIMARTEC@VIMARTEC.COM.VN  
PHONE: (+84) 24 35575861  
FAX: (+84) 24 35575862

PROJECT: PROVISION OF BASIC DESIGN OF NEW CALM BUOY  
AT DAI HUNG FIELD, BLOCK 05-1A, OFFSHORE VIETNAM  
DRAWING TITLE: J-TUBE INSTALLATION RIGGING ARRANGEMENT  
DWC-NUMBER: CALM-POC-0722-DW-107  
FORMAT: A3 SCALE: 1:50 SHEET NO: 03 NO OF SHEETS: 04  
FILE NAME: XXX

NOTE: THIS PRINT IS OF A CONFIDENTIAL NATURE AND IS THE PROPERTY OF VIMARTEC, JSC. AND SHALL NOT BE TRACED, PHOTOGRAPHED, PHOTOSTATED OR REPRODUCED IN ANY MANNER, NOR USED FOR ANY PURPOSE WHATSOEVER EXCEPT BY WRITTEN PERMISSION OF VIMARTEC, JSC.



**APPROVED**  
 No: 528/ĐK-CTB  
 Date: 21/10/2022  
 Approved by: Do Duc Huy



PLAN VIEW  
 MOORING HAWSER SYSTEM INSTALLATION RIGGING

SEC A-A

REV.	DATE	DESCRIPTION	DRAWN	DESIGNED	CHECKED	APPROVED
1	09/2022	ISSUED FOR APPROVAL	L.H.MANH	C.X.H	P.T.HA	N.N.VINH
0	09/2022	ISSUED FOR REVIEW				

OWNER: **VIMARTEC**  
 097 895 390 600R, BUILDING A, HANOI STREET 14/3E - HOY HOANG THAI, HAI PHONG DISTRICT, HAI PHONG CITY - VIETNAM  
 WEBSITE: WWW.VIMARTEC.CO.VN  
 E-MAIL: VIMARTEC@VIMARTEC.CO.VN  
 PHONE: (+84) 24 35759861  
 FAX: (+84) 24 35759862

CONTRACTOR DESIGN: **VIMARTEC**

PROJECT NAME: PROVISION OF BASIC DESIGN OF NEW CALM BUOY AT DAI HONG FIELD, BLOCK 05-1A, OFFSHORE VIET NAM

DWG NUMBER: CALM-POC-0722-DW-108

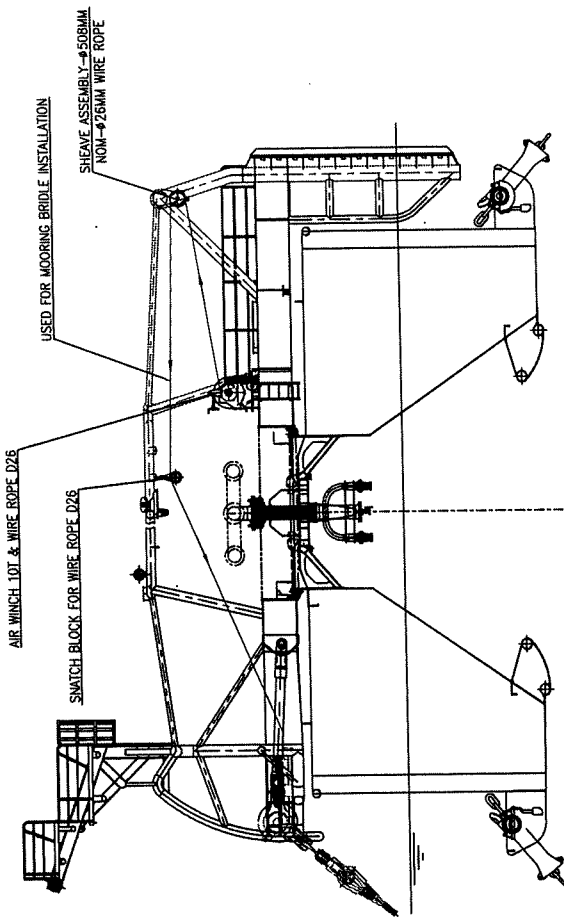
DRAWING TITLE: MOORING HAWSER SYSTEM INSTALLATION RIGGING ARRANGEMENT

FORMAT: A3 SCALE: 1:150 NO OF SHEETS: 02 SHEET NO: 03

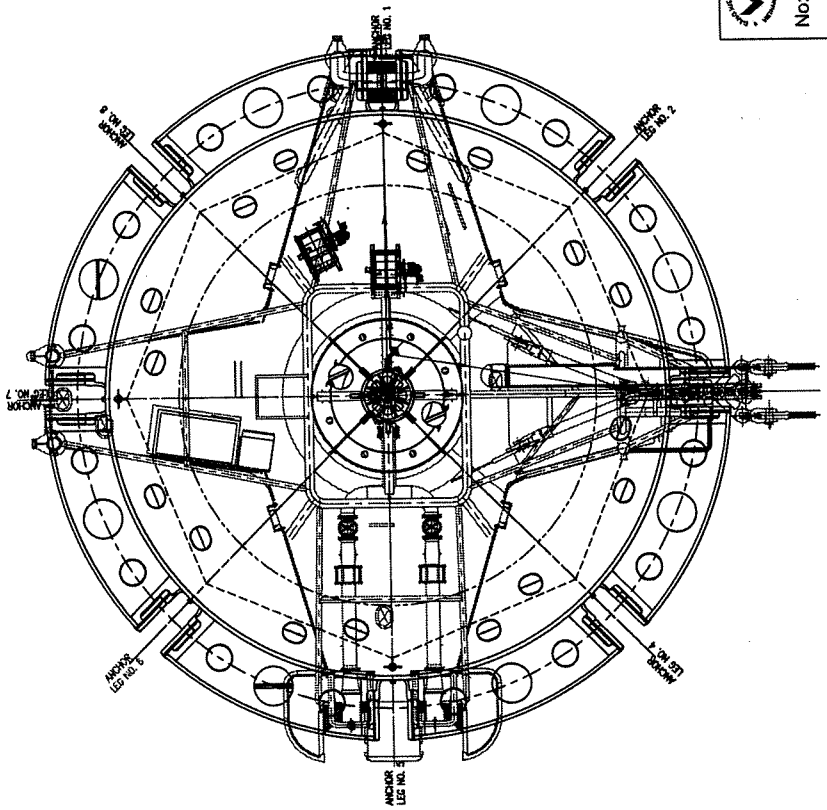
FILE NAME: XXX

ITEM NO.	Q-AMTY	DESCRIPTION	REMARK
01	01 SET	AIR WINCH 10T-7M/MIN, DRUM LENGTH 610mm	INGERSOLL RAND
02	200m	WIRE ROPE D26 (35X7)-WRC	
03	01 SET	GUIDE SHEAVE HORIZON ASSEMBLY - #457mm	CROSBY-MCKISSICK STOCK NO. 917486
04	01 SET	GUIDE SHEAVE VERTICAL ASSEMBLY - #457mm	CROSBY-MCKISSICK STOCK NO. 917486
05	01 SET	HEAD SHEAVE ASSEMBLY - #508mm	CROSBY-MCKISSICK STOCK NO. 4109257
06	01 SET	BOLT TYPE ANCHOR SHACKLE 12TON	CROSBY G-2150 OR EQ
07	01 SET	EYE HOOK 10T, L-320C	STOCK NO.1022282
08	01x1.5M	GROMMET SLING D18 (6X19) EP5-WRC GALV ROPE	

NOTE: THIS PRINT IS OF A CONFIDENTIAL NATURE AND IS THE PROPERTY OF VIMARTEC, JSC AND SHALL NOT BE TRACED, PHOTOGRAPHED, REPRODUCED OR REPRODUCED IN ANY MANNER, NOR USED FOR ANY PURPOSE WHATSOEVER EXCEPT BY WRITTEN PERMISSION OF VIMARTEC, JSC



SEC B - B



PLAN VIEW  
MOORING BRIDLE INSTALLATION

**APPROVED**

No: 528/BK-CTB

Date: 21/10/2022

Approved by: Do Duc Huy

1	09/2022	ISSUED FOR APPROVAL	<i>[Signature]</i>	<i>[Signature]</i>	<i>[Signature]</i>	<i>[Signature]</i>
0	09/2022	ISSUED FOR REVIEW	L.H.MANH	C.X.H	P.T.HA	N.N.VINH
REV.	DATE	DESCRIPTION	DRAWN	DESIGNED	CHECKED	APPROVED
OWNER:						
CONTRACTOR DESIGN:						
<p>           0MT, 205, 700 FLOOR, BUILDING A, HOCKID            STREET WILAGE - HOAI HOI AND HOAI THAI ST.            HAI PHONG WARD - THANH PHU DISTRICT            HANOI CITY - HANOI            WEBSITE: WWW.VIMARTEC.COM.VN            E-MAIL: VIMARTEC@VIMARTEC.COM.VN            PHONE: (+84) 24 35275861            FAX: (+84) 24 35275862         </p>						
PROJECT NAME:			PROVISION OF BASIC DESIGN OF NEW CALM BUOY			
DRAWING TITLE:			AT DAI HONG FIELD, BLOCK 05-1A, OFFSHORE VIET NAM			
INSTALLATION RIGGING ARRANGEMENT			CALM-POC-0722-DW-108			
FORMAT: A3			SCALE: 1:150		NO OF SHEETS: 03	
					SHEET NO: 03	
FILE NAME: XXX						

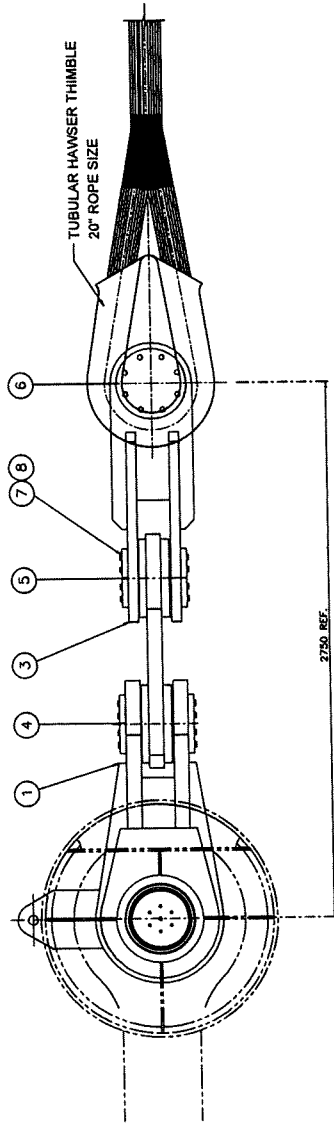
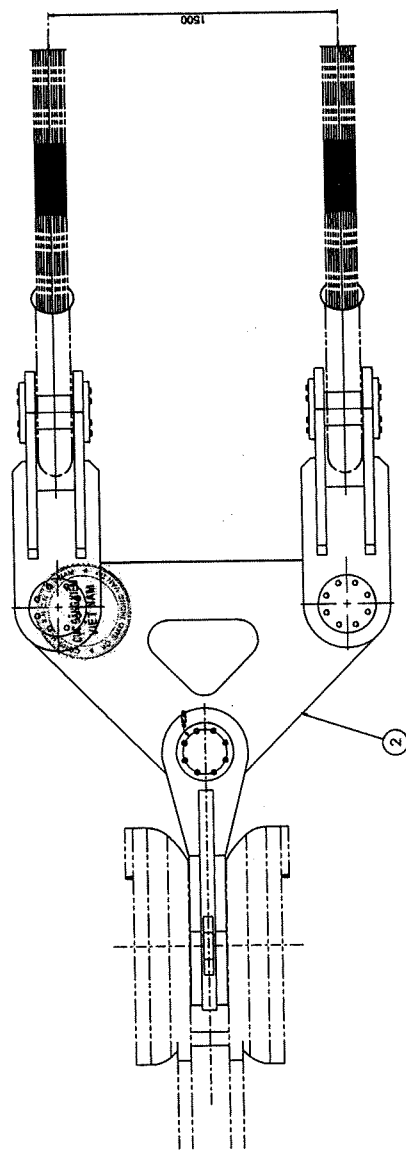
NOTE: THIS PRINT IS OF A CONFIDENTIAL NATURE AND IS THE PROPERTY OF VIMARTEC, JSC AND SHALL NOT BE TRACED, PHOTOGRAPHED, REPRODUCED OR REPRODUCED IN ANY MANNER, NOR USED FOR ANY PURPOSE WHATSOEVER EXCEPT BY WRITTEN PERMISSION OF VIMARTEC, JSC.

HISTORY PLAN

REV.	DATE	MODIFIED CONTENTS	SHEET	REMARK
0	09-2022	ISSUE FOR APPROVAL	...	...
1	09-2022	ISSUE FOR APPROVAL	...	...

NOTES: 1.- ALL BOLTS TO BE COATED WITH PIFE (XYLAN 1070 OR EQUIV.)  
 APPLIED OVER MANGANESE PHOSPHATE SUBSTRATE.  
 2.- ALL UNIT. COMPONENTS TO BE PAINTED IN COMPLIANCES WITH  
 B.H.P.P.

**APPROVED**  
 No: 528/ĐK-CTB  
 Date: 21/10/2022  
 Approved by: Do Duc Huy



ESTIMATED WEIGHT COMPLETE ASSY. 3986 kg.

ITEM	QTY	DESCRIPTION	DRG. No.	MATERIAL	WGHT	REMARKS
8	80	BOLT HEX. HD. M20x60LG.	-	C.S.	-	GRADE B.8
7	10	PIN KEEPER PLATE	DW-309	S.	280	-
6	2	PIN Ø166	DW-309	C.S.	118	-
5	2	PIN Ø166	DW-309	C.S.	96	-
4	1	PIN Ø189	DW-309	C.S.	78	-
3	2	DUAL CLEWS - SINGLE GROMMET	DW-309	S.	1550	-
2	1	DELTA PLATE	DW-309	S.	970	-
1	1	DELTA PLATE YOKE	DW-309	S.	855	-

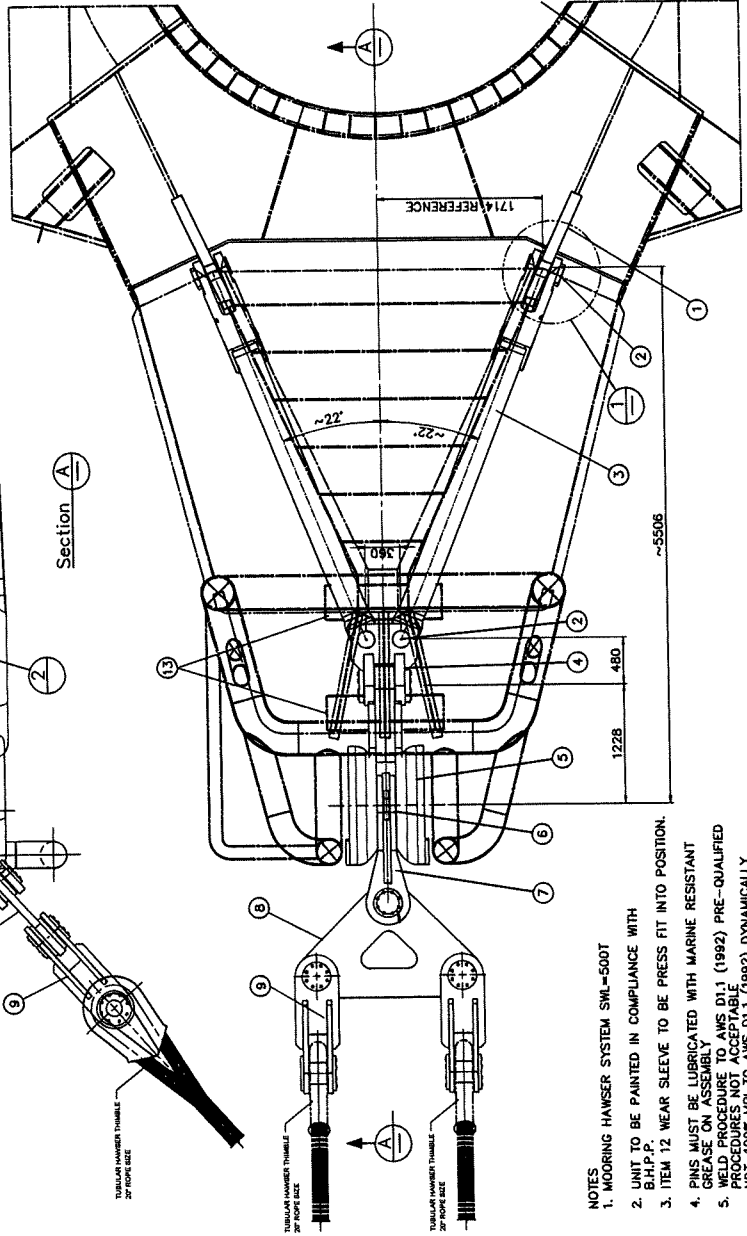
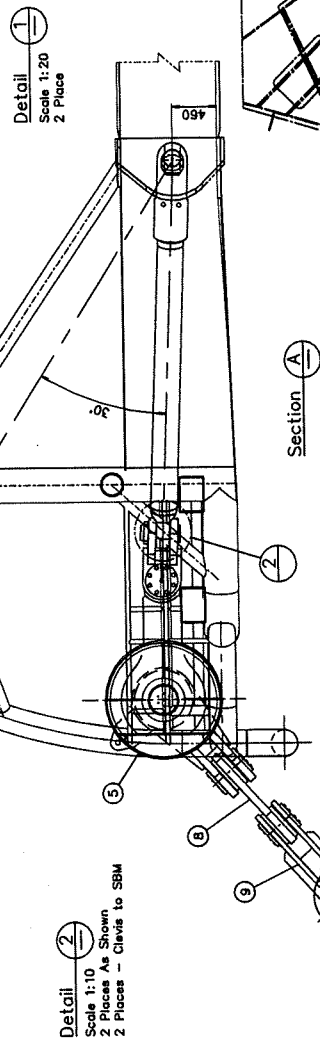
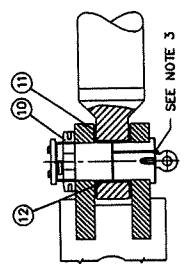
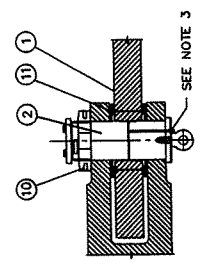
1	09/2022	ISSUE FOR APPROVAL	ĐD	ĐD	ĐD	ĐD	ĐD	ĐD	ĐD
0	09/2022	ISSUE FOR APPROVAL	C.X.H.	C.X.H.	P.T.HA	N.V.VINH			
REV.	DATE	DESCRIPTION	DRAWN	DESIGNED	CHECKED	APPROVED	OWNER:		
CONTRACTOR DESIGN: 100/ 200/ 300 FLOOR BUILDING A HANGUO STREET TAI XE - HO CHI MINH CITY DISTRICT HO CHI MINH - VIETNAM WEBSITE: WWW.VIMARTEC.COM.VN E-MAIL: WWW.VIMARTEC@VIMARTEC.COM.VN PHONE: (+84) 24 35375861 FAX: (+84) 24 35375862							 VIMARTEC		
PROJECT NAME: PROVISION OF BASIC DESIGN OF NEW CALM BUOY AT DAI HUNG FIELD, BLOCK 05-1A, OFFSHORE VIET NAM									
DRAWING TITLE: MOORING HAWSER SYSTEM ROPE MOORING LINK ASSEMBLY									
FORMAT: A3 SCALE: 1:25 NO OF SHEETS: 01 SHEET NO: 01									

NOTE: THIS PRINT IS OF A CONFIDENTIAL NATURE AND IS THE PROPERTY OF VIMARTEC, JSC AND SHALL NOT BE TRACED, PHOTOGRAPHED, REPRODUCED OR REPRODUCED IN ANY MANNER, NOR USED FOR ANY PURPOSE WHATSOEVER EXCEPT BY WRITTEN PERMISSION OF VIMARTEC, JSC

HISTORY PLAN

REV.	DATE	MODIFIED CONTENTS	SHEET	REMARK
0	9-2022	ISSUE FOR APPROVAL	...	...
1	9-2022	ISSUE FOR APPROVAL	...	...

**APPROVED**  
 No: 528/DK-CTB  
 Date: 21/10/2022  
 Approved by: Do Duc Huy



- NOTES
1. MOORING HAWSER SYSTEM SHL=500T
  2. UNIT TO BE PAINTED IN COMPLIANCE WITH B.H.P.P.
  3. ITEM 12 WEAR SLEEVE TO BE PRESS FIT INTO POSITION.
  4. PINS MUST BE LUBRICATED WITH MARINE RESISTANT GREASE ON ASSEMBLY
  5. WELD PROCEDURE TO AWS D1.1 (1992) PRE-QUALIFIED NOT TO BE USED FOR PINS D1.1 (1992) DYNAMICALLY LOADED STRUCTURES

ITEM	QTY	DESCRIPTION	DRG. No.	MATERIAL	WGT	REMARKS
13	2	RUBBER BLOCK (or WOODEN)	DW-308	-	-	-
12	4	LINK PIN WEAR SLEEVE	DW-309	-	-	-
11	8	LINK PIN NYLON SPACER	DW-309	-	-	-
10	8	LINK PIN NUT	DW-309	-	-	-
9	2	DUAL CLEVIS	DW-309	-	1054	-
8	1	DELTA PLATE	DW-309	-	970	-
7	1	DELTA PLATE YOKE	DW-309	-	855	-
6	1	MOORING YOKE PIN	DW-309	-	242	-
5	1	MOORING YOKE	DW-309	-	1888	-
4	1	PIVOT BLOCK	DW-309	-	585	-
3	2	LINK MEMBER ASSEMBLY	DW-309	-	1550	-
2	4	LINK PIN	DW-309	-	259	-
1	2	LINK PADEYE	DW-216	-	-	-

REV.	DATE	DESCRIPTION	DRAWN	DESIGNED	CHECKED	APPROVED
1	09/2022	ISSUE FOR APPROVAL	...	...	...	...
0	09/2022	ISSUE FOR APPROVAL	...	...	...	...

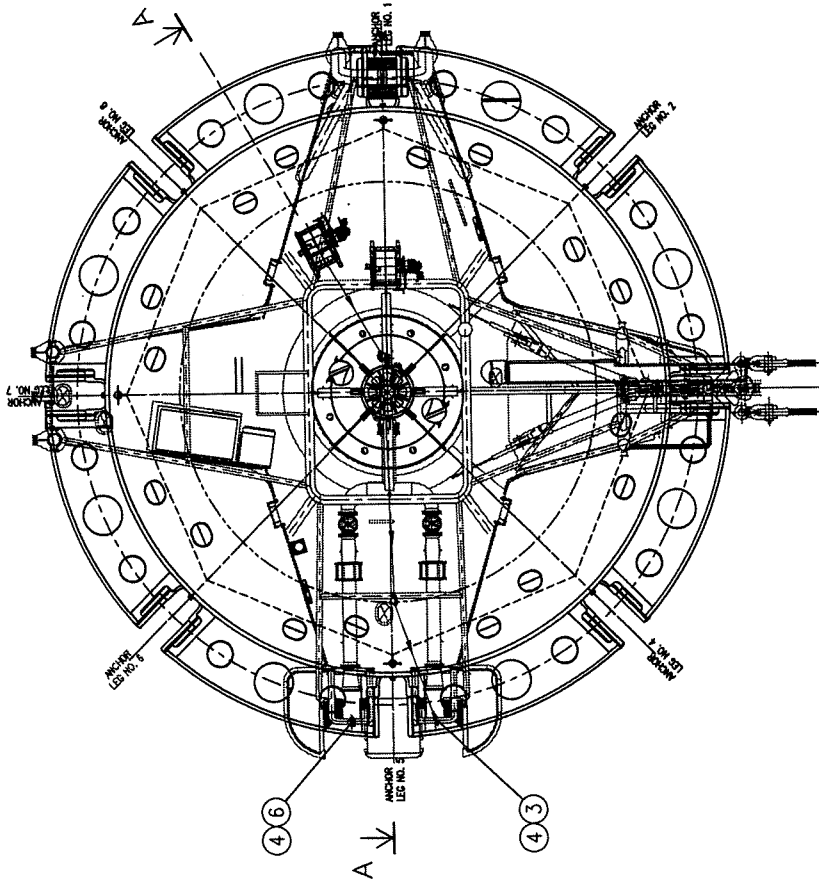
OWNER: **VIETNAM STEEL PIPE CO.**  
 UNIT 105, 2ND FLOOR, BUILDING A, HANGO STREET, HAI PHONG, HAI PHONG CITY, HAIPHONG PROVINCE, VIETNAM  
 WEBSITE: WWW.VIMARTEC.COM.VN  
 E-MAIL: VIMARTEC@VIMARTEC.COM  
 PHONE: (+84) 24 35775861  
 FAX: (+84) 24 35775862

CONTRACTOR DESIGN: **VIMARTEC**

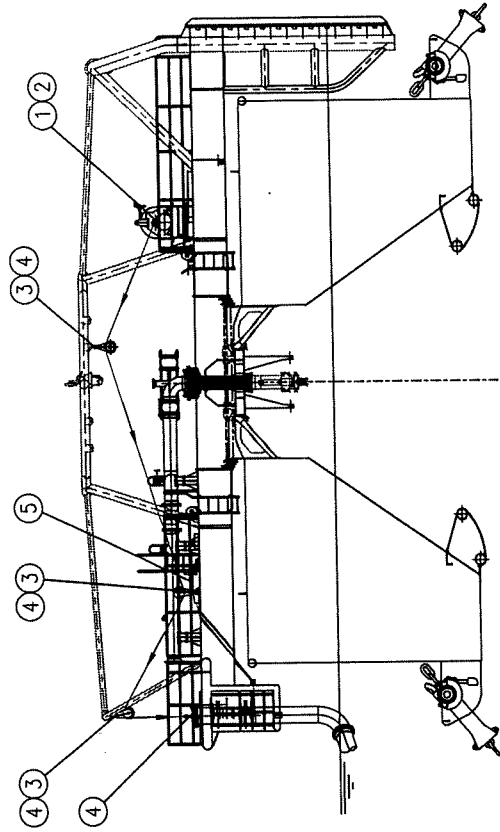
PROJECT NAME: **PROVISION OF BASIC DESIGN OF NEW CALM BUOY AT DAI HUNG FIELD, BLOCK 05-1A, OFFSHORE VIET NAM**

DWG NUMBER: **CALM-POC-0722-DW-111**

FORMAT: A3 SCALE: 1:50 NO OF SHEETS: 01 SHEET NO: 01



PLAN VIEW - INSTALLATION J-TUBE



SEC. A-A

**APPROVED**  
 No: 528/ĐK-CTB  
 Date: 21/10/2022  
 Approved by: Do Duc Huy

ITEM NO.	QNTY	DESCRIPTION	REMARK
01	01 SET	AIR WINCH 10T-7M/MM, DRUM LENGTH 610MM	INGERSOLL RAND
02	200m	WIRE ROPE D26 (35X7)-WRC	-
03	02 SETS	SWATCH BLOCK (20T) FOR WIRE ROPE D26	CROSBY-WCK65SICK STOCK NO. 121095 CROSBY_G-2130
04	05 SETS	BOLT TYPE ANCHOR SHACKLE 13.5TON	STOCK NO. 1019613
05	01 SET	GRIP HOIST 2TONS WITH SHACKLE	MANUFACTURER: TRACTEL MODEL: TD-28 GRIPHOIST CROSBY
06	01 SET	HAND CHAIN HOISTS 2.7TONS	MODEL NO. 1360280

PROJECT: PROVISION OF BASIC DESIGN OF NEW CALM BUOY  
 AT DAI HUNG FIELD, BLOCK 05-1A, OFFSHORE VIET NAM

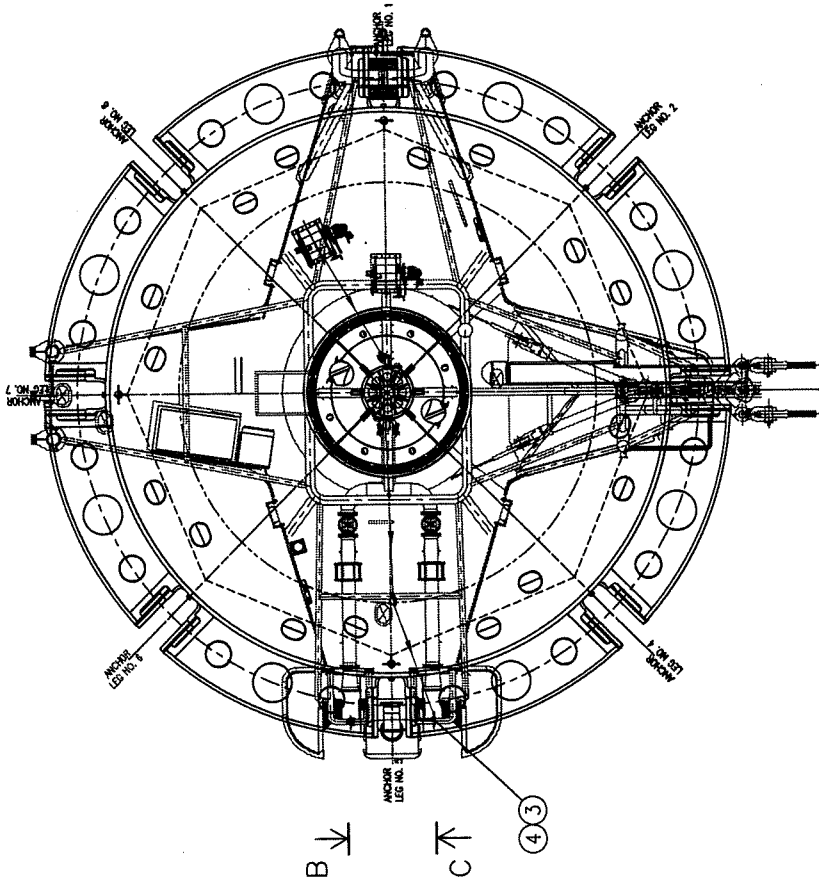
DRAWING TITLE: J-TUBE INSTALLATION RIGGING ARRANGEMENT  
 DWG NUMBER: CALM-POC-0722-DW-107

FORMAT: A3 SCALE: 1:50 SHEET NO: 02 NO OF SHEETS: 04

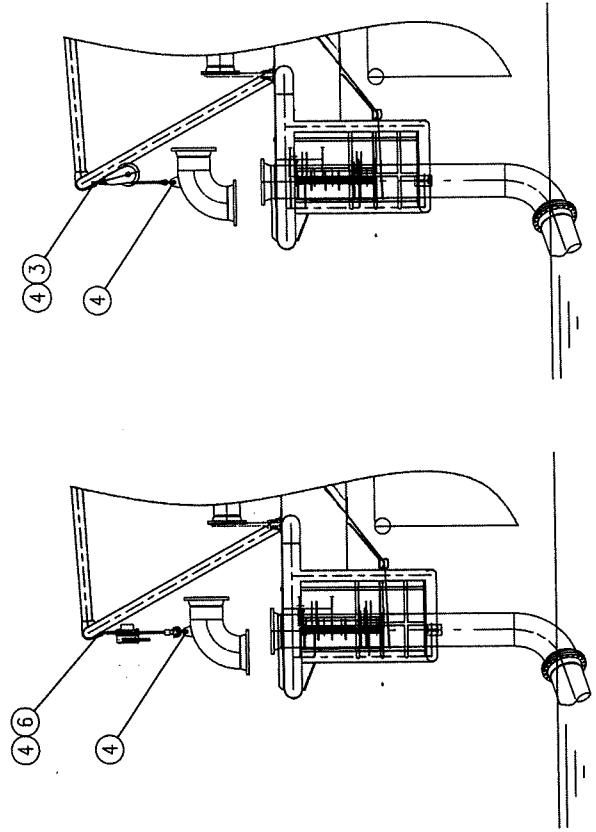
CONTRACTOR DESIGN: **VIMARTEC**  
 04/10/2022, 2ND FLOOR, BUILDING A, HONKHO  
 STREET VILLAGE - NGUYEN HAI THAM ST,  
 HAI PHONG WARD - THUAN XUAN DISTRICT  
 HAI PHONG CITY - VIETNAM  
 WEBSITE: WWW.VIMARTEC.COM.VN  
 E-MAIL: VIMARTEC@VIMARTEC.COM.VN  
 PHONE: (+84) 24 35575861  
 FAX: (+84) 24 35575862

OWNER: **PHU THUAN PVT POC**

NOTE: THIS PRINT IS OF A CONFIDENTIAL NATURE AND IS THE PROPERTY OF VIMARTEC, INC. AND SHALL NOT BE TRACED, PHOTOGRAPHED, PHOTOCOPIED, OR REPRODUCED IN ANY MANNER, NOR USED FOR ANY PURPOSE WHATSOEVER EXCEPT BY WRITTEN PERMISSION OF VIMARTEC, INC. FILE NAME: XXX




PLAN VIEW - LIFTING J-TUBE COMPONENTS

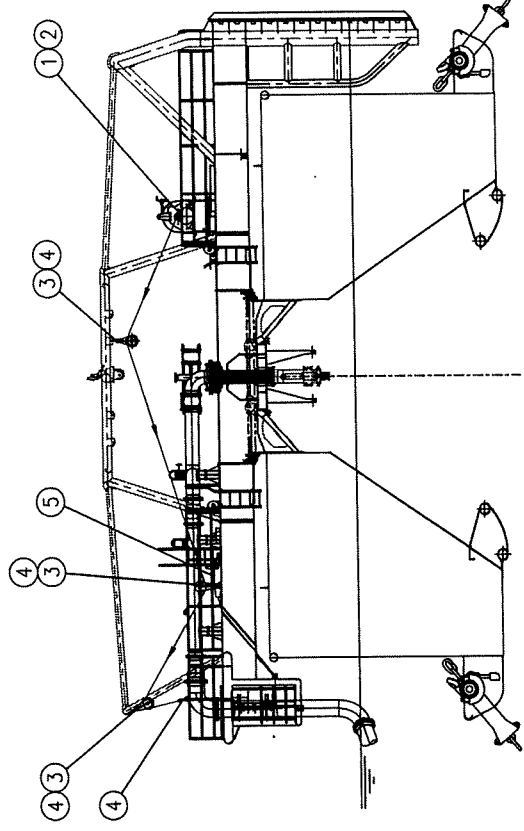
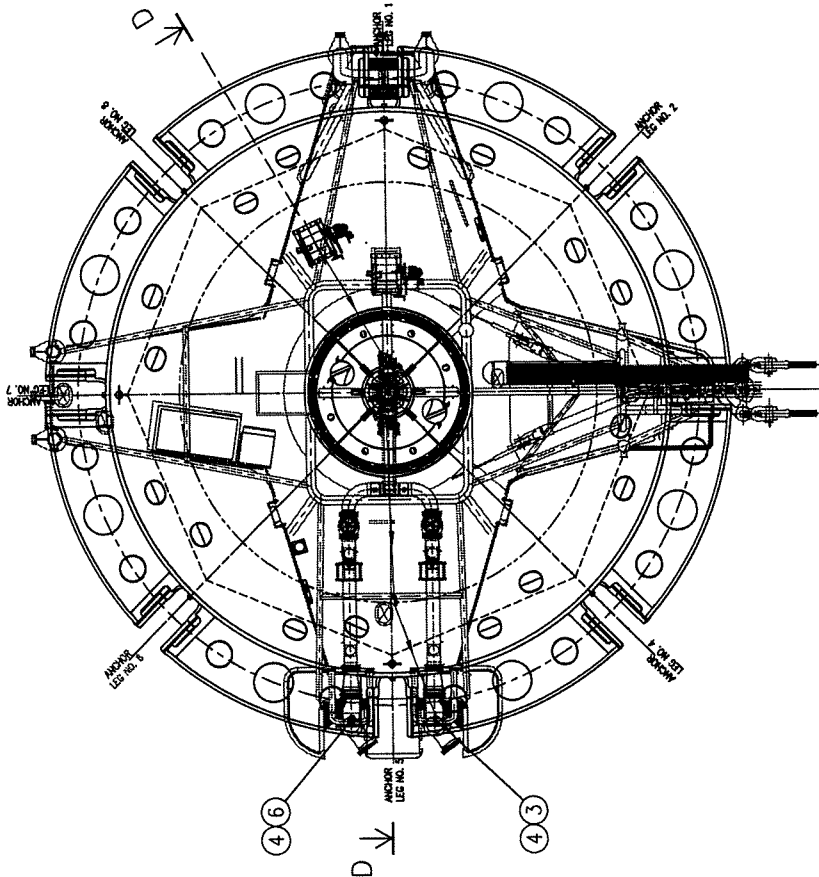


SEC. C--

SEC. B--

CONTRACTOR DESIGN:  VIMARTEC PHU THUAN P.O. BOX 7	PROJECT: PROVISION OF BASIC DESIGN OF NEW CALM BUOY AT DAI HUNG FIELD, BLOCK 05-1A, OFFSHORE VIET NAM	DWG NUMBER: CALM-POC-0722-DW-107	SHEET NO.: 03	NO. OF SHEETS: 04
	OWNER:	DRAWING TITLE: J-TUBE INSTALLATION RIGGING ARRANGEMENT	FORMAT: A3	SCALE: 1:50

NOTE: THIS PRINT IS OF A CONFIDENTIAL NATURE AND IS THE PROPERTY OF VIMARTEC, JSC AND SHALL NOT BE TRACED, PHOTOGRAPHED, PHOTOSTATED OR REPRODUCED IN ANY MANNER, NOR USED FOR ANY PURPOSE WHATSOEVER EXCEPT BY WRITTEN PERMISSION OF VIMARTEC, JSC



SEC. D-D

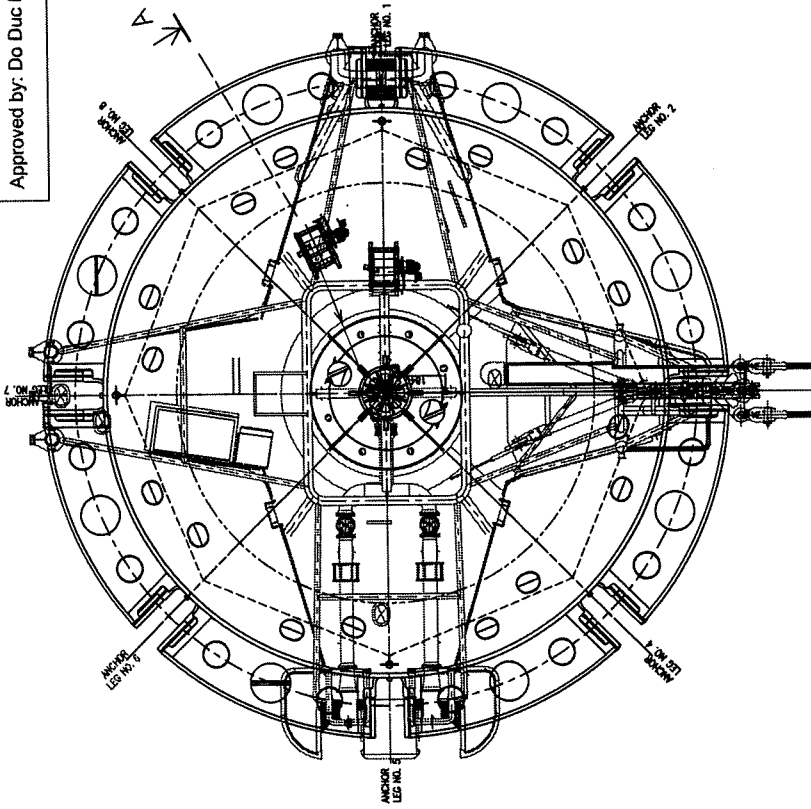
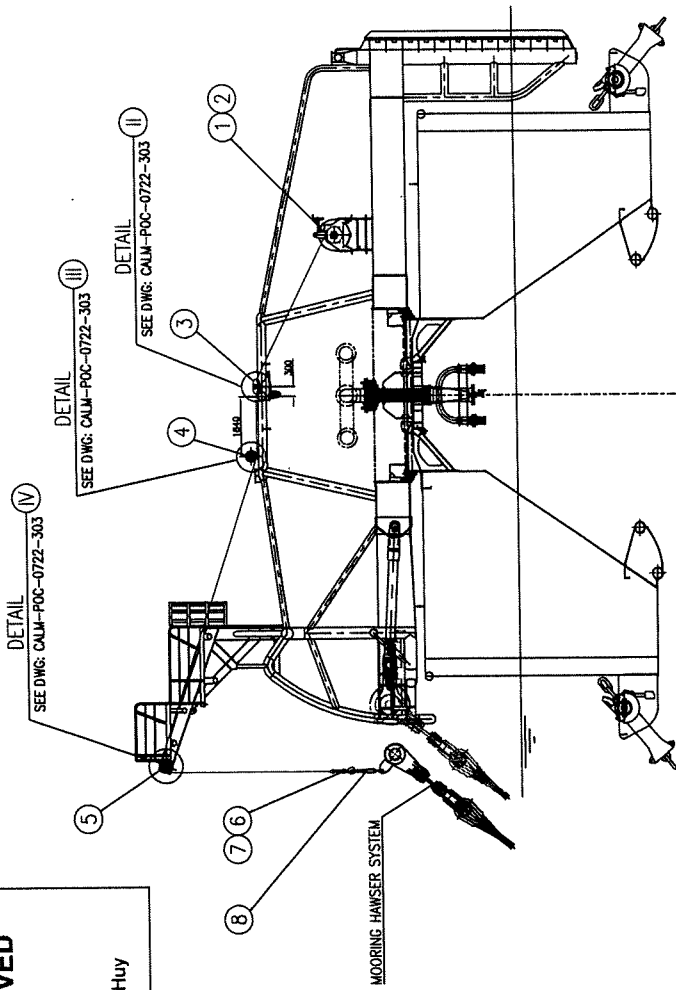
**APPROVED**  
 No: 528/BK-CTB  
 Date: 21/10/2022  
 Approved by: Do Duc Huy

PLAN VIEW - INSTALLATION J-TUBE COMPONENTS

OWNER: 	CONTRACTOR DESIGN: 	PROJECT: PROVISION OF BASIC DESIGN OF NEW CALM BUOY AT DAI HUNG FIELD, BLOCK 05-1A, OFFSHORE VIET NAM
	01/10/2022, 2ND FLOOR, BUILDING A, HINH KHO STREET VILLAGE - HOAI NHAI (KHU 17) KH. ST. HAI PHONG - THAI BINH DISTRICT HANOI CITY - VIETNAM WEBSITE: WWW.VIMARTEC.COM.VN E-MAIL: VIMARTEC@VIMARTEC.COM.VN PHONE: (+84) 24 35575861 FAX: (+84) 24 35575862	DWG NUMBER: CALM-POC-0722-DW-107
		DRAWING TITLE: J-TUBE INSTALLATION RIGGING ARRANGEMENT
		FORMAT: A3 SCALE: 1:50 SHEET NO: 04 NO OF SHEETS: 04
		FILE NAME: XXX

NOTE: THIS PRINT IS OF A CONFIDENTIAL NATURE, AND IS THE PROPERTY OF VIMARTEC, AND SHALL NOT BE TRACED, PHOTOGRAPHED, PHOTOSTATED OR REPRODUCED IN ANY MANNER, NOR USED FOR ANY PURPOSE WHATSOEVER EXCEPT BY WRITTEN PERMISSION OF VIMARTEC.

**APPROVED**  
 No: 528/ĐK-CTB  
 Date: 21/10/2022  
 Approved by: Do Duc Huy



SEC A - A

PLAN VIEW

MOORING HAWSER SYSTEM INSTALLATION RIGGING

REV.	DATE	DESCRIPTION	DRAWN	CHECKED	APPROVED
1	09/2022	ISSUED FOR APPROVAL	L.H.MANH	C.X.H	P.T.HA
0	09/2022	ISSUED FOR REVIEW	L.H.MANH	C.X.H	N.L.VINH

OWNER: **RESERVE BANK VIETNAM**  
**VIETPOST**

CONTRACTOR DESIGN: **VIARTEC**  
 UNIT: 200, 2ND FLOOR, BRUNING A HONKHO STREET, PHU THUAN - HO CHI MINH CITY, VIETNAM  
 WWW.VIARTEC.COM.VN  
 E-MAIL: VIARTEC@VIARTEC.COM  
 PHONE: (+84) 24 35575861  
 FAX: (+84) 24 35575862

PROJECT NAME: PROVISION OF BASIC DESIGN OF NEW CALM BUOY AT DAI HANG FIELD, BLOCK 05-1A, OFFSHORE VIET NAM

DWG NUMBER: CALM-POC-0722-DW-108

INSTALLATION RIGGING ARRANGEMENT

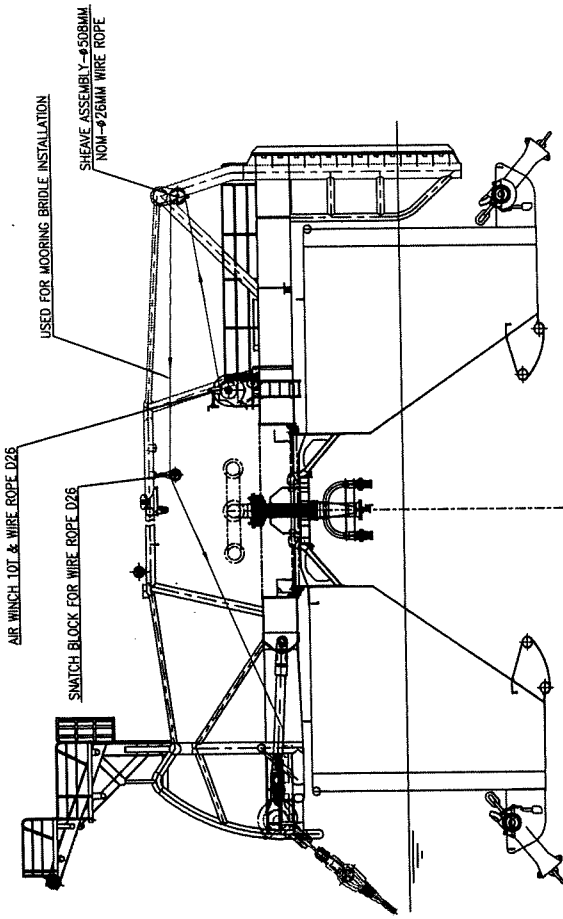
SCALE: 1:150

NO OF SHEETS: 02

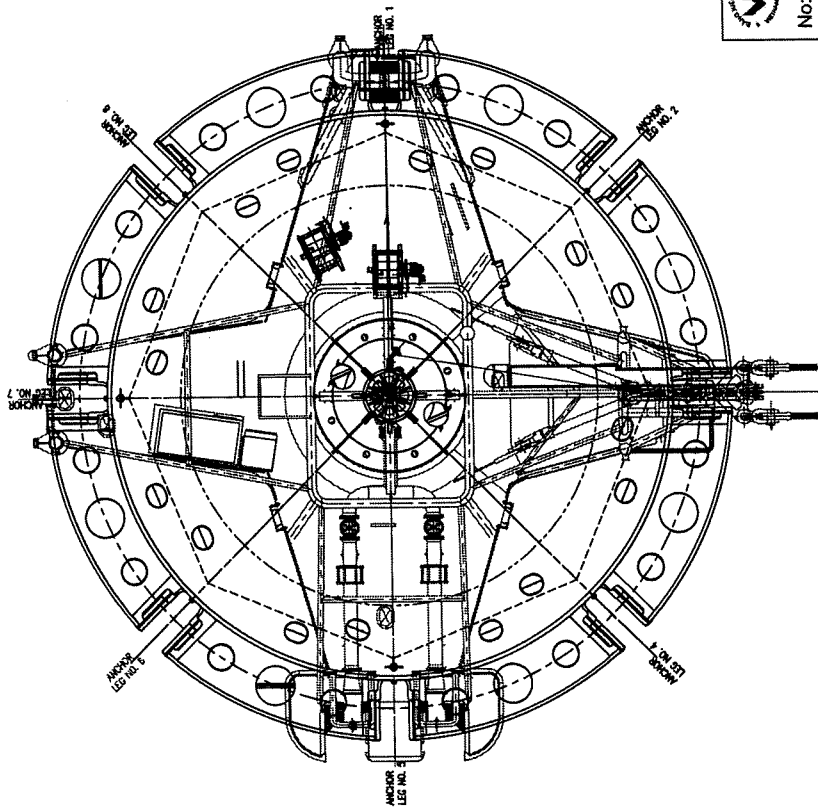
SHEET NO: 03

ITEM NO.	QTY	DESCRIPTION	REMARK
01	01 SET	AIR WINCH 10T-7M/MIN, DRUM LENGTH 610mm	INGERSOLL RAND
02	200m	WIRE ROPE D26 (35X7)-HRC	
03	01 SET	GUIDE SHEAVE HORIZON ASSEMBLY - #457mm NOM - #26mm WIRE ROPE	CROSBY-WICKS SICK STOCK NO. 917466
04	01 SET	GUIDE SHEAVE VERTICAL ASSEMBLY - #4457mm NOM - #26mm WIRE ROPE	CROSBY-WICKS SICK STOCK NO. 917466
05	01 SET	HEAD SHEAVE ASSEMBLY - #506mm NOM - #26mm WIRE ROPE	CROSBY-WICKS SICK STOCK NO. 4105257
06	01 SET	BOLT TYPE ANCHOR SHACKLE 12TON	CROSBY G-2150 OR EQ
07	01 SET	EYE HOOK 10T, L-320C	STOCK NO.1022282
08	01x1.5M	GROMMET SLING D18 (6X19) EIPS-HRC GALV ROPE	

NOTE: THIS PRINT IS OF A CONFIDENTIAL NATURE AND IS THE PROPERTY OF VIARTEC, JSC. AND SHALL NOT BE TRACED, PHOTOGRAPHED, OR REPRODUCED IN ANY MANNER, NOR USED FOR ANY PURPOSE WHATSOEVER EXCEPT BY WRITTEN PERMISSION OF VIARTEC, JSC. FILE NAME: XXX



SEC B-B



**APPROVED**

No: 528/BK-CTB  
Date: 21/10/2022  
Approved by: Do Duc Huy

1	09/2022	ISSUED FOR APPROVAL	<i>[Signature]</i>	<i>[Signature]</i>	<i>[Signature]</i>
0	09/2022	ISSUED FOR REVIEW	L.H.MANH	C.X.H	P.T.HA
REV.	DATE	DESCRIPTION	DRAWN	DESIGNED	CHECKED
OWNER: <b>TRUONG KHANH</b> <b>HYPER POC</b>					
CONTRACTOR DESIGN: <b>VIMARTEC</b> 04/1/2022, 2ND FLOOR, BUILDING A, HONGKONG STREET VIETNAM - NGUYEN HOANG THAI ST. HANG CHINH WARD - THUAN XUAN DISTRICT HANOI CITY - VIETNAM WEBSITE: WWW.VIMARTEC.COM.VN E-MAIL: VIMARTEC@VIMARTEC.COM PHONE: (+84) 24 35575861 FAX: (+84) 24 35575862					
PROJECT NAME: PROVISION OF BASIC DESIGN OF NEW CALM BUOY AT DAI HONG FIELD, BLOCK 05-1A, OFFSHORE VIET NAM					
DRAWING TITLE: MOORING HAWSER SYSTEM INSTALLATION RIGGING ARRANGEMENT					
FORMAT: A3 SCALE: 1:150					
DWG NUMBER: CALM-POC-0722-DW-108					
NO OF SHEETS: 03 SHEET NO: 03					

NOTE: THIS PRINT IS OF A CONFIDENTIAL NATURE AND IS THE PROPERTY OF VIMARTEC, JSC AND SHALL NOT BE TRACED, PHOTOGRAPHED, REPRODUCED OR REPRODUCED IN ANY MANNER, NOR USED FOR ANY PURPOSE WHATSOEVER EXCEPT BY WRITTEN PERMISSION OF VIMARTEC, JSC