



INVITATION TO BID (“ITB”)

INVITATION TO BID No.: PVEP-POC-26-10033

**PROVISION OF SERVICES FOR MANUFACTURING SPARE PARTS
FOR SEAWATER LIFT PUMP & ELECTRIC SUBMERSIBLE PUMP ON
FPU DH-01**

CLOSING TIME & DATE

10:00 HOURS, 2026

Handwritten initials/signature

GENERAL TABLE OF CONTENTS

INVITATION TO BID (ITB)

PART I - ITB INSTRUCTIONS

1. INSTRUCTIONS AND INFORMATION TO BIDDER
2. BIDDER'S QUESTIONNAIRE
3. BIDDING FORMS
4. PRELIMINARY AND TECHNICAL EVALUATION CRITERIA

PART II – CONTRACT DOCUMENT

1. CONTRACT FORM
 2. EXHIBITS
- EXHIBIT I SCOPE OF SUPPLY AND TECHNICAL REQUIREMENTS
- EXHIBIT II CONTRACT PRICE
- EXHIBIT III SHIPPING DOCUMENT, PACKING AND MARKING REQUIREMENTS
- EXHIBIT IV FORM OF BANK GUARANTEE
- EXHIBIT V FORM OF ACCEPTANCE PROTOCOL
- EXHIBIT VI FORM OF CONTRACT CLOSURE CERTIFICATE

PART I: ITB INSTRUCTIONS

Handwritten marks:
A small scribble or mark above the page number.
A large, stylized handwritten mark, possibly initials, below the page number.

1. INSTRUCTIONS AND INFORMATION TO BIDDER

INSTRUCTIONS AND INFORMATION TO BIDDER

1.0 GENERAL

1.1 DOMESTIC PETROLEUM OPERATING BRANCH - PETROVIETNAM EXPLORATION PRODUCTION CORPORATION LIMITED (hereinafter referred to as "CLIENT") invites BIDDER to submit proposal for the Provision of Services for Manufacturing Spare Parts for Seawater Lift Pump & Electric Submersible Pump on FPU DH-01 (hereinafter referred to as "GOODS") under ITB No. PVEP-POC-26-10033.

1.2 In order for CLIENT to fully assess the relative merits of each proposal, BIDDER is requested to furnish CLIENT with all relevant and complete information as set forth in the following items of "INSTRUCTIONS AND INFORMATION TO BIDDER". BIDDER is urged to comply strictly with ITB's requirements.

1.3 Eligibility of BIDDER

a. BIDDER shall be eligible required as follows:

In case of independent BIDDER:

- **Domestic BIDDER** is to provide notarized copy of eligible certificate of business registration in accordance with Vietnamese Laws; **Foreign BIDDER** is to provide notarized copy of eligible certificate of business registration in accordance with the law of BIDDER'S country;
- BIDDER is an independent cost accounting entity;
- There is no decision by a competent authorities concluding that the BIDDER has an unhealthy financial status; BIDDER is not in bankrupt or insolvent status, and BIDDER is not in the process of dissolution.
- BIDDER participates in bid must be legally and financially independent with Investor and/or Procuring Entity. Failure to comply with such requirement may be considered as disqualified.

b. In case of Consortium:

- Each Consortium Partner is to provide the documents and to meet the requirements mentioned in paragraph 1.3.a. above.
- Written Consortium Agreement between the consortium partners specifying responsibilities (joint and several) of each Consortium Partner in implementing the Bid, rights and scope of work and respective value of each Consortium Partner, including the Leading Consortium Partner and its responsibility, place and date of signing the Consortium Agreement, signatures and seals (if any) of Consortium Partners. If the Consortium Partner is authorized as the Leading Partner to sign the Proposal Letter, this effect shall be stated in the Consortium Agreement).

c. BIDDER is to ensure the competition in bidding procedures as follows:

- BIDDER who has prepared the Technical Design, Construction Drawing Designs or Technology Design for this ITB is not allowed to participate in Bidding for Supply of GOODS under this ITB.

- BIDDER participating in this ITB must be organizationally independent of, financially independent from, and not under the control of the managing body of CLIENT in accordance with the applicable laws of Vietnam.
- 1.4. BIDDER must submit its proposal strictly in accordance with the terms of the ITB which consists of the following:

PART I - ITB INSTRUCTIONS

INSTRUCTIONS AND INFORMATION TO BIDDER

BIDDER'S QUESTIONNAIRE

BIDDING FORMS

PRELIMINARY AND TECHNICAL EVALUATION CRITERIA

PART II – CONTRACT DOCUMENT

CONTRACT FORM

EXHIBITS:

EXHIBIT I	SCOPE OF SUPPLY AND TECHNICAL REQUIREMENTS
EXHIBIT II	CONTRACT PRICE
EXHIBIT III	SHIPPING DOCUMENT, PACKING AND MARKING REQUIREMENT
EXHIBIT IV	FORM OF BANK GUARANTEE
EXHIBIT V	FORM OF ACCEPTANCE PROTOCOL
EXHIBIT VI	FORM OF CONTRACT CLOSURE CERTIFICATE

- 1.5 As a base case, **BIDDER's proposal should be in full conformity with the requirements as set out in the ITB.** Nothing shall be deemed to change or supplement this basis except revisions or addendum to the ITB issued in writing by CLIENT to BIDDER. If BIDDER wishes to present an alternative (**applicable to Technical Specifications ONLY**), BIDDER may do so (as an option to CLIENT) only after having duly complied with the requirements of the ITB.
- 1.6 Any queries concerning preparation of the proposal shall be directed in writing to the address given in item 9.3.
- 1.7 All Bid Proposals must be signed by an officer duly authorized by BIDDER to do so.
- 1.8 Any amendment appearing in the Bid Proposal must be signed or initialed by an officer duly authorized by BIDDER to do so.
- 1.9 BIDDER is to ensure that all prices and other details in the proposal are correct at the time of submission. CLIENT will not entertain any changes or addenda due to typing or calculation errors after the Bid Closing Date.

- 1.10 BIDDER is to bear responsibility for and pay all costs, expenses and other charges incurred in preparation and delivery of the proposal to CLIENT's designated office as stated in item 9.3, irrespective of whether an order is placed or not.
- 1.11 Submission of proposal by BIDDER will constitute a firm offer by BIDDER that BIDDER is prepared to enter into Contract with CLIENT on the conditions shown in this ITB.
- 1.12 Proposal by BIDDER shall be binding for a minimum period of 120 calendar days from the Bid Closing Date. BIDDER may assume that the award for Contract will be made within 45 calendar days from the Bid Closing Date and BIDDER can assume that it has not been successful if no notification is received within the bid validity period. BIDDER shall state the precise date of validity in the proposal. CLIENT shall be entitled to request BIDDER to extend Bid Validity for maximum of 30 calendar days (if any) without any BIDDER's exception.
- 1.13 BIDDER is requested to use the term "CONTRACTOR" instead of its specific company business name in their submission of Bid Proposal except for covering letter, header and footer.
- 1.14 At any time prior to Bid Closing Date, CLIENT, for any reason, whether at its own initiative or in response to a clarification requested by BIDDER, may modify the ITB by amendment (including the extension of Bid Closing Date, if necessary) by sending the amendment of ITB in writing to all BIDDERS prior to the Bid Closing Date. These amendments shall be the part of ITB. BIDDERS shall notify to CLIENT by email or by fax to acknowledge their receipt of said amendments.
- 1.15 FAILURE TO STRICTLY COMPLY WITH THE INSTRUCTION AS SET FORTH IN THIS DOCUMENT WILL RESULT IN BIDDER'S PROPOSAL BEING DEEMED NON-RESPONSIVE IN WHICH CASE IT MAY BE DROPPED FROM FURTHER CONSIDERATION.

2.0 INTENTION TO BID

- 2.1 BIDDER is advised to thoroughly check the completeness of the ITB upon receipt. BIDDER must inform CLIENT within three (3) days from the bid issue date if any of the pages are missing.
- 2.2 **BIDDER is required to acknowledge receipt of the ITB** in accordance with the ITB Acknowledgement Letter Form set out in BIDDING FORMS and intention to submit proposal or otherwise by fax **at least two (2) working days** from bid issuance date. BIDDER is also advised to confirm its address and name a representative to whom all communications from CLIENT shall be addressed to.
- 2.3 Should BIDDER decline to submit a proposal, BIDDER shall state in writing the reason(s) for declining and is required to promptly return the ITB to CLIENT, and in all such cases this shall be done not later than the bid closing date.
- 2.4 All ITB returned shall be forwarded to the address as given in item 9.3 herein, with the following wordings clearly marked on the cover/envelope.
- (a) "DECLINE TO BID-DOCUMENTS RETURNED"

(b) ITB NUMBER and TITLE

(c) BIDDER'S NAME

3.0 EXCLUSIVITY OF BID

BIDDER is required to submit Bid Proposal in conjunction with the Principal and the Principal MUST be the prime vendor for the total proposal package. BIDDER is also required to submit a support letter from Principal (if any).

4.0 SCOPE OF SUPPLY

BIDDER's Scope of Supply shall be in accordance with ITB which are listed in the Table of Contents.

GOODS to be supplied under this ITB shall origin from eligible source country and defined in Exhibit I – Scope of Supply and Technical Requirements of the Contract Form.

The origin of GOODS is understood as a country or territory where GOODS were mined, grown, cultivated, produced, manufactured or where GOODS and its parts are processed, assembled, further manufactured to have a merchantable product that has substantial differentiation from the components from which it is composed.

5.0 PRICE QUOTATION

5.1 The price quotation shall be quoted in Vietnamese Dong (VND).

5.2 Once specified, the unit prices shall prevail throughout the life of the Contract and shall not be subject to revision by reason of cost escalation nor currency fluctuations.

5.3 PRICE OF GOODS

5.3.1 BIDDER's Bid Proposal shall be in full conformity with the requirements as set out in this Bid documents.

5.3.2 BIDDER should specifically note that subsequence to the Bid Closing Date, no alteration in price quotation will be permitted whatsoever.

5.3.3 Prices are to be itemized according to the item numbers in the Commercial Summary Form attached hereto. Unit price and total price must be clearly stated in the quotation. All discounts, in percentage of total estimated contract value, are to be stated separately.

5.4 The proposed CONTRACT PRICE shall indicate whether it is inclusive of Vietnamese taxes (VAT, CIT, etc.) or not. In the event that the quoted prices do not specify this, they shall be treated as inclusive of all taxes.

6.0 BID EXCEPTIONS

In the event BIDDER has any change that is considered of mutual benefit or if there is any exception to ITB document, BIDDER must state the changes or exceptions proposed

by using the Exception Form as set out in BIDDING FORMS and giving specific reasons thereof.

Changes or exceptions to the ITB document expressed after the Bid Closing Date will not be entertained.

CLIENT reserves the right to accept or reject any or all of the proposed changes or exceptions. CLIENT will review each change or exception on a case by case basis.

7.0 BID BOND/ BANK GUARANTEE

7.1 BID BOND

7.1.1 When participating to the Bid, BIDDER shall, at its own expense, furnish Bid Bond using the Bid Bond Form set out in BIDDING FORMS and issued by an reputable recognized bank accepted by CLIENT.

7.1.2 The amount of Bid Bond shall be **VND 45,000,000** (*In words: forty-five million Vietnam Dong*) and shall be valid for **150 days from the Bid Closing Date**. The Original Bid Bond shall be attached in the Bid Proposal.

7.1.3 In case of Consortium, the Bid Bond will be provided by one of the following two methods:

- a) Each Consortium Partner shall provide separately Bid Bond, provided always that the total value of Bid Bond shall not be lower than the amount required in Item 7.1.2 above; if Bid Bond of any Consortium Partner is invalid the Bid Proposal of such Consortium shall be rejected according to the prerequisite criteria.
- b) The Consortium Partners agree to appoint a Consortium Partner to provide Bid Bond for the whole Consortium. In this case, the Bid Bond may include the name of Consortium or name of the Consortium Partner providing the Bid Bond for the whole Consortium provided always that the total value of Bid Bond shall not lower than the amount required in Item 7.1.2 above.

7.1.4 Bid Bond shall be considered as not acceptable if its value is lower than the required value, is not in the required currency, with shorter validity period, not submitted to the address by the time required by the ITB, states an incorrect BIDDER'S Name, is not original or without valid signature.

7.1.5 Bid Bond will be returned to the unsuccessful BIDDER within thirty (30) days from the date of announcement of the Bid results. For the successful BIDDER, the Bid Bond will be returned when the successful BIDDER provides the Bank Guarantee.

7.1.6 Bid Bond shall be forfeited and shall be disposed if the BIDDER:

- a. withdraws its Bid Proposal during the Validity Period of the Bid or any extension of validity the BIDDER has agreed to;

- b. do not commence the contract negotiation, finalization or decline to do so within thirty (30) days after receipt of contract award notice, or have completed the contract negotiation, finalization but refuses to sign the contract without valid reasons;
- c. in case of the successful BIDDER, fails to furnish the Bank Guarantee for performance before signing the contract or before the contract comes into force.

7.2 BANK GUARANTEE

BIDDER's attention is drawn to **Article headed as BANK GUARANTEE** of the CONTRACT FORM whereby the successful BIDDER is requested to provide an irrevocable first call Bank Guarantee issued by a commercial bank acceptable by CLIENT to guarantee performance of BIDDER's obligation under the CONTRACT. The format of Bank Guarantee shall be set out in the EXHIBIT IV of CONTRACT document.

8.0 PROPOSAL FORMAT

8.1 BIDDER is to strictly adhere to the proposal format as set out below. **BIDDER must ensure that the "TECHICAL AND UNPRICED PACKAGE (TECHNICAL)" does not contain any pricing or cost.** Failure to comply with these instructions may render BIDDER's proposal invalid.

8.2 BIDDER is to submit the proposal in two (2) separate packages, as follows:

- a) Technical and Unpriced Package (Technical)
- b) Priced Package (Commercial)

8.3 CONTENTS OF TECHNICAL AND UNPRICED PACKAGE (TECHNICAL)

Unpriced package shall include but not limited to the following:

SECTION	CONTENT	NOTE
Section 1	<p>PROPOSAL LETTER The Proposal Letter shall be prepared and fully filled by BIDDER as set out in BIDDING FORMS and must be signed by the authorized representative of BIDDER (the representative at law of the BIDDER or the authorized person with legal Power of Attorney). In case of authorization, BIDDER shall enclose the following instruments and documents to prove the legitimacy of the authorized person:</p> <ul style="list-style-type: none"> a. In case of independent BIDDER: Power of Attorney signed by the Representative at law of BIDDER authorizing the authorized person to sign the Proposal Letter; b. In case of Consortium: Proposal Letter shall be signed by the Representative at law of each Consortium Partner, unless the Consortium Agreement stated that the Consortium Partners have authorized the representative at law of Leading Partner of the Consortium to sign Proposal Letter. If each Consortium Partner has authorized such Representative, 	<p>ITB - PART I – SECTION III: BIDDING FORM</p> <ul style="list-style-type: none"> a. PROPOSAL LETTER FORM b. POWER OF ATTORNEY FORM (if any) c. CONSORTIUM AGREEMENT FORM (if any)

	the same requirements as independent Bidder shall be applied.	
Section 2	<p>BIDDER'S ELIGIBILITY, EXPERIENCES AND CAPACITY</p> <p>BIDDER shall provide the following documents proving BIDDER's eligibility, experiences, and capacity:</p> <ul style="list-style-type: none"> - The Documents as required in Item 1.3; - BIDDER is requested to submit a completed BIDDER's QUESTIONNAIRE, including but not limitation to the following documents: <ul style="list-style-type: none"> (i) Past Work Experience; and (ii) Company Profile; and (iii) Last 3 Year Financial Statement. 	<ol style="list-style-type: none"> 1. Notarized copy of business registration. 2. Notarized copy of Tax Authority's Notice about Company completion of tax obligations 3. Signed and Stamped Bidder's Questionnaire (ITB - PART I – SECTION II)
Section 3	<p>TECHNICAL PROPOSAL</p> <p>BIDDER shall provide the following documents to prove the suitability (compliance) of GOODS:</p> <ul style="list-style-type: none"> - Detailed List of GOODS in compliance with EXHIBIT I - Scope of Supply and Technical Requirements of CONTRACT document; - Supply Schedule in compliance with EXHIBIT I - Scope of Supply and Technical Requirements of CONTRACT document; - Technical documents such as quality standard, features, technical specification, warranty parameters of each type of GOODS (attach drawings for description, if necessary); - License for Sale of Manufacturer in accordance with the License for Sale of the Manufacturer Form as set out in BIDDING FORMS or Letter of Authorization of Distributor; - the origin of GOODS as stipulated in Item 4, code, trademark of the product, and related documents proving the eligibility of GOODS; - other requirements as stipulated EXHIBIT I - Scope of Supply and Technical Requirements; 	
Section 4	<p>BID BOND</p> <p>BIDDER shall provide the Original Bid Bond as requested in Item 7.1.</p>	Bid bond form (ITB - PART I – SECTION III)
Section 5	<p>BIDDER'S EXCEPTIONS TO CONTRACT DOCUMENT</p> <p>BIDDER shall provide BIDDER's Exception to CONTRACT document as stated in Item 6, if any.</p>	ITB - PART I – SECTION III - BIDDER'S EXCEPTIONS

8.4 CONTENTS OF PRICED PACKAGE (COMMERCIAL)

Every page of BIDDER's price proposal must bear BIDDER's company seal. Priced package shall include the following:

SECTION	CONTENT
Section 1	PROPOSAL LETTER To be attached a similar letter as in Section 1.
Section 2	BIDDER is requested to submit the following with prices & schedule attached a PRICED COMMERCIAL FORM as per the EXHIBIT II – CONTRACT PRICE
Section 3	<p>BIDDER's PRICED EXCEPTIONS AND ALTERNATIVES.</p> <p>a) If BIDDER has no exception and alternative proposal, BIDDER shall have the following statements prominently displayed in capital letters under this section: "THIS PROPOSAL COMPLIES WITH ALL TERMS AND CONDITIONS OF THIS CONTRACT, EXHIBITS AND REQUIREMENTS IN THIS TENDER" or</p> <p>b) If BIDDER has an alternative proposal on this bid documents, BIDDER shall display the following statement in capital letters under this section: "THIS PROPOSAL INCLUDES EXCEPTIONS AND ALTERNATIVES WHICH ARE LISTED ON THE FOLLOWING PAGES."</p> <p>BIDDER shall present a complete and detailed listing of non-compliance to the Tender in total indicating the delivery impact and cost impact, if any. The format of the presentation shall be as per the attached BIDDER's EXCEPTION TO TERMS AND CONDITIONS and BIDDER's EXCEPTION TO EXHIBITS as set out in BIDDING FORMS.</p>

9.0 SUBMISSION OF PROPOSAL

9.1 Each Technical and Unpriced Package (Technical) and Priced Package (Commercial) shall consist of:

- a) **One (1) original set** of each package wrapped separately from the other copies and clearly marked with the word "**ORIGINAL UNPRICED**" or "**ORIGINAL PRICED**" on the cover of the respective wrapping.
- b) **One (1) copy** each of the Technical and Unpriced Package (Technical) and Priced Package (Commercial). The copy shall be wrapped separately (01 Unpriced and 01 Priced) and marked with the word "**COPY UNPRICED PACKAGE**" or "**COPY PRICED PACKAGE**" on the covers of the packages.

In the event of discrepancy between the original set and the copies, the original set shall prevail.

9.2 BIDDER shall ensure that all proposals or submissions to CLIENT, pertaining to the enquiry are properly sealed and that the cover of each package is clearly marked in **bold letters** with the following wordings:

ITB number and the title.

BIDDER's name and return address.
"TECHNICAL AND UNPRICED PACKAGE" or "PRICED PACKAGE".
"PRIVATE AND CONFIDENTIAL"

- 9.3 All communications and correspondence with regard to ITB and clarification shall be made to the following address:

**DOMESTIC PETROLEUM OPERATING BRANCH - PETROVIETNAM
EXPLORATION PRODUCTION CORPORATION LIMITED**
15th Floor, Victory Tower
12 Tan Trao Street, Tan My Ward
Ho Chi Minh City, S.R Vietnam
Tel: (84-28) 5416 5050 Fax : (84-28) 5416 0616
Attention : **Planning & Procurement Management Manager**

All communications with regard to bid clarifications shall be made in writing and must indicate the ITB number and title and send to the address given above.

Submission of Bid Proposal shall be made to the following address:

For any further information, please contact the email : thuynt2@pvep.com.vn.

**DOMESTIC PETROLEUM OPERATING BRANCH - PETROVIETNAM
EXPLORATION PRODUCTION CORPORATION LIMITED**

15th Floor, Victory Tower
12 Tan Trao Street, Tan My Ward
Ho Chi Minh City, S.R Vietnam
Tel: (84-28) 5416 5050 Fax : (84-28) 5416 0616
Attention : **Planning & Procurement Management Manager**

- 9.4 BIDDER is strongly advised to deliver the proposals by hand in order to assure timely receipt by CLIENT. If BIDDER elects to mail the proposal, BIDDER is advised to use a fast and reliable delivery service e.g. courier. BIDDER should advise CLIENT by fax the date on which the proposal was mailed and details of the delivery service.
- 9.5 Responsibility for timely delivery of the proposals to the correct address rests fully with BIDDER. CLIENT does not accept late bids submission. Delivery to the wrong address shall not be an excuse for late delivery.
- 9.6 BIDDER must ensure that the proposal is delivered to the address given in Item 9.3 above no later than **10:00 HOURS, _____ 202... LATE BIDS WILL NOT BE ENTERTAINED.**
- 9.7 BIDDER's proposal shall be submitted in a separate sealed envelope or package bearing the name of your company, clearly addressed and marked on the outside as follows:

"STRICTLY CONFIDENTIAL"
**PROVISION OF SERVICES FOR MANUFACTURING SPARE PARTS FOR
SEAWATER LIFT PUMP & ELECTRIC SUBMERSIBLE PUMP ON FPU DH-01**
ITB NO.: PVEPPOC- 26-10033

- 9.8 Bid Proposal as well as all correspondences and documents relating to the ITB exchanged by BIDDER and CLIENT shall be written in English. Supporting documents and printed literature furnished by BIDDER may be in another language provided they are accompanied by an accurate translation of the relevant passages in English, in which case, for purposes of interpretation of the Bid Proposal, the translation shall govern.

10.0 ACCEPTANCE

- 10.1 CLIENT may, at CLIENT option, reject all proposals received or may accept any proposal which, in CLIENT's sole judgment, is the most advantageous to CLIENT. CLIENT reserves the right to accept or reject all or part of the proposal at CLIENT's discretion and will be under no obligation to explain the reasons thereof.
- 10.2 CLIENT reserves the right to award the CONTRACT at its own discretion. CLIENT may award the CONTRACT to more than one BIDDER where practicable.
Award strategy: Single Award. CLIENT reserves the right to award the CONTRACT at its own discretion.
- 10.3 CLIENT shall not be deemed to have accepted all or any part of a proposal unless and until a written acceptance is issued.
- 10.4 Any award as a result of this ITB will be through a properly executed contract issued by CLIENT. Prior to this, CLIENT may send the BIDDER a Letter of Award in order to initiate immediate placement of order. Upon receipt of the Letter of Award, BIDDER shall proceed immediately with the work mentioned in the Letter of Award.

11.0 PAYMENT

- 11.1 Payments shall be made in accordance to **Article headed as INVOICING AND PAYMENT** of Contract Form attached hereto.
- 11.2 Any proposal on progress payments shall be based on "value received" or verifiable milestones and not merely the passage of time and not for merely placing the Contract.

END OF SECTION

2. BIDDER'S QUESTIONNAIRES

BIDDER'S QUESTIONNAIRE

(This form **MUST** be completely filled by BIDDER. Write 'NIL' or 'NOT APPLICABLE' where appropriate)

PRIVATE & CONFIDENTIAL

- 1. Full Company Name: _____
Registered Address: _____
Business Address: _____
Correspondence Address: _____
Telephone: _____
Fax: _____

- 2. BIDDER's Organization:
BIDDER is requested to provide:

2.1 Company's Capital Contribution Structure formed as follows:

No.	Full Name (person or entity)	Date of Birth	Sex	Nationality	Address	Capital Contribution		Note
						Amount	Percentage (%)	
1								
2								
...								

2.2 A brief description of the background and organization of BIDDER.

- 3. List of similar Projects and Contract performed in the last three years:

Unit: USD/ VND

No.	Contract Name	Name of project	Name of Project Owner	Contract Value (or value of the portion performed by Bidder)	Effective Date of Contract	Date of Completion of the Contract
1						
2						
3						
...						

Note: BIDDER shall attach a copy of documents, materials related to above contracts (certified by the Project Owner for the contract being implemented according to the related information in above table).

- 4. List the Main Manufacture and Trading Activities:

4.1 Quantity, Type, Revenue of Manufacture and Trading for the last 03 years:

		2022	2023	2024
Manufacture	Type			
	Quantity			
	Revenue			
Trading	Type			
	Quantity			
	Revenue			

4.2 Total number of existing professional employees who are managers, technical staffs, and the other qualification:

	2022	2023	2024
Manufacture			
Trading			

5. Summary of Financial Data for the fiscal years

Unit: VND/ USD

No.	Descriptions	2022	2023	2024
1	Total assets			
2	Total liabilities			
3	Current assets			
4	Current liabilities			
5	Turnover			
6	Profit Before Tax			
7	Profit after Tax			
8	Other items (if required)			

For the purpose of verification of the data declared, BIDDER is required to submit the notarized/certified true copy of the following documents:

1. Audited Financial Statements or Financial Statements certified by competent authorities as required by the law for the 2022, 2023, 2024.
2. Annual Tax Statements as required by the law on taxation (Tax authorities to certify that the Bidder has submitted its tax statements) for the 2022, 2023, 2024;
3. Report on Checking of Bidder's Tax Statements (if any) for the 2022, 2023, 2024

Information provided by:

Name: _____
 Designation: _____
 Company: _____

Signature: _____
 Date: _____

3. BIDDING FORMS

ITB ACKNOWLEDGMENT LETTER

Letterhead of Bidder

Date:
To: **DOMESTIC PETROLEUM OPERATING BRANCH - PETROVIETNAM
EXPLORATION PRODUCTION CORPORATION LIMITED**
Attn: Director
Subject: PROVISION OF SERVICES FOR MANUFACTURING SPARE PARTS FOR
SEA WATER LIFT PUMP & ELECTRIC SUBMERSIBLE PUMP ON FPU DH-01
ON DH-01 FPU
ITB No. PVEP-POC-26-10033

Dear Sir,

- We acknowledge receipt of the subject Invitation to Bid ("ITB").
- We have received all documents without damage and in usable condition.
- We have read the Instructions to Bidders and will submit a bid in accordance with the ITB requirements.
- We confirm our adherence to the highest standards of business ethics and, in particular, we have established precautions to prevent any of our officers, employees, or agents from making, receiving, providing or offering substantial gifts, entertainment, payment, loans or other considerations which may influence individuals.

OR

- We do not wish to bid and therefore we are returning this ITB in its entirety with this ITB Acknowledgement Letter.

All future communications in respect of this ITB should be addressed as follows:

Bidder's
Name: _____ Telephone: _____
Attention: _____ Fax: _____
Address: _____ Email: _____
Signed: _____

Signature: _____ Date: _____
Printed
Name: _____
Title: _____

POWER OF ATTORNEY FORM

Letterhead of BIDDER

Date:

To **DOMESTIC PETROLEUM OPERATING BRANCH - PETROVIETNAM
EXPLORATION PRODUCTION CORPORATION LIMITED**

Attn: **DIRECTOR**

Subject: **ITB FOR PROVISION OF SERVICES FOR MANUFACTURING SPARE PARTS
FOR SEAWATER LIFT PUMP & ELECTRIC SUBMERSIBLE PUMP ON FPU
DH-01ON DH-01 FPU
ITB No. PVEP-POC-26-10033**

I, the undersigned - the Legal Representative of [Name of BIDDER], hereby authorize and empower [name of Authorized Person and Position] to be my true and lawful attorney to

1. Signing Proposal Letter;
2. Signing transaction documents, correspondence with CLIENT during the Bidding Process, including, but not limit to, ITB Clarification Request, Bid Clarification;
3. Participating in Contract Negotiation and Finalization;
4. Signing petitions if the BIDDER has any petitions;
5. Signing contract with CLIENT if we are selected

for PROVISION OF SERVICES FOR MANUFACTURING SPARE PARTS FOR SEAWATER LIFT PUMP & ELECTRIC SUBMERSIBLE PUMP ON FPU DH-01ON DH-01 FPU under the ITB No. PVEP-POC-26-10033

This Power of Attorney is effective as from _____ to _____.

Yours faithfully,

For and behalf of [name of BIDDER].

Name of Legal Representative of BIDDER

Position:

CONSORTIUM AGREEMENT FORM

_____, Date: _____

Subject: PROVISION OF SERVICES FOR MANUFACTURING SPARE PARTS FOR
SEAWATER LIFT PUMP & ELECTRIC SUBMERSIBLE PUMP ON FPU DH-
01ON DH-01 FPU
ITB No. PVEP-POC-26-10033

We, representatives of the Parties of the Consortium Agreement, including:

Name of the Consortium Partner (Name of Each Consortium Partners) _____

Represented by: _____

Title: _____

Address: _____

Power of Attorney No. _____ dated _____ (in case of authorization).

The Parties (hereinafter referred to as Partners) agreed to enter into this Consortium Agreement with the following terms and conditions:

Article 1: General Provisions

1. The Partners are willing to form a Consortium to participate in the ITB No. PVEP-POC-26-10033 for PROVISION OF SERVICES FOR MANUFACTURING SPARE PARTS FOR SEAWATER LIFT PUMP & ELECTRIC SUBMERSIBLE PUMP ON FPU DH-01ON DH-01 FPU (hereinafter referred to as "ITB") to DOMESTIC PETROLEUM OPERATING BRANCH - PETROVIETNAM EXPLORATION PRODUCTION CORPORATION LIMITED (hereinafter referred to as "CLIENT").
2. The Partners agree that the name of the Consortium for all correspondences related to ITB is: _____ [specify name of the Consortium as agreed].
3. The Partners confirm that neither of them will unilaterally participate in the bidding of this ITB as an independent Bidder of partner of other consortium. If the consortium is awarded the Contract, neither partner will refuse to execute its obligations and duties as agreed in the Contract unless otherwise agreed in writing by the Consortium Partner. If the Consortium Partner refuses to fulfill its own obligations as agreed then such Partner is to:
 - Compensate for all damages to other Consortium Partners;
 - Compensate for all damages to CLIENT as stipulated in the Contract;
 - Other penalty [specify other penalty].

Article 2. Responsibilities of the Partners

The Partners agree that the responsibilities of each Partner for execution of the ITB shall be as follows:

1. Leading Partner of the Consortium:

The Partners agreed to appoint _____ [*specify the name of Leading Partner of the Consortium*] to be the Leading Partner of the Consortium to act on behalf of the Consortium in the following works:

- 1.1. Signing Proposal Letter;
- 1.2. Signing transaction documents, correspondence with CLIENT during the Bidding Process, including, but not limit to, ITB Clarification Request, Bid Clarification;
- 1.3. Participating in Contract Negotiation and Finalization;
- 1.4. Signing petitions if the Bidder has any petitions;
- 1.5. Signing Contract with CLIENT if we are selected

2. The Consortium Partners:

[Specify the scope of work, responsibilities of each Partner, including the Leading Partner of the Consortium and, if possible, to specify the percentage of appropriate value].

Article 3: Validity of the Consortium Agreement

1. This Consortium Agreement is valid from the date of signing.
2. This Consortium Agreement will expire in any of the following cases:
 - The Partners completed their obligations, duties and agreed to liquidate the Contract;
 - The Partners agreed to terminate this Agreement;
 - Cancellation of Bidding Process of the ITB according to the notification of CLIENT.

This Consortium Agreement is made in ____ originals, each Partner will keep ____ original(s), all originals are equally valid.

LEGAL REPRESENTATIVE OF THE LEADING CONSORTIUM PARTNER

[Specify full name, title, sign and seal]

LEGAL REPRESENTATIVES OF THE CONSORTIUM PARTNERS

[Specify full name, title, sign and seal of each Consortium Partner]

BID BOND FORM

Letterhead OF BANK

Subject: ITB FOR PROVISION OF SERVICES FOR MANUFACTURING SPARE PARTS
FOR SEAWATER LIFT PUMP & ELECTRIC SUBMERSIBLE PUMP ON FPU
DH-01ON DH-01 FPU
ITB No. PVEP-POC-26-10033

Date: _____

To: **DOMESTIC PETROLEUM OPERATING BRANCH - PETROVIETNAM
EXPLORATION PRODUCTION CORPORATION LIMITED** (hereinafter referred to as
the "CLIENT")

Basing on the fact that _____ [*name and registered head office address of the BIDDER*],
(hereinafter referred to as "BIDDER"), will participate to the Bidding for your ITB No. PVEP-
POC-26-10033 for ITB FOR PROVISION OF SERVICES FOR MANUFACTURING SPARE
PARTS FOR SEAWATER LIFT PUMP & ELECTRIC SUBMERSIBLE PUMP ON FPU DH-
01ON DH-01 FPU.

We _____ [*name of the BANK*], having registered office located at _____ [*address
of registered office of the BANK*] (hereinafter referred to as "BANK"), pledge to BIDDER to
secure for the Bidder to participate in bidding for said ITB with an amount of 45,000,000 VND
(In words: forty-five million Vietnam Dong).

We shall immediately transfer to CLIENT the amount of money mentioned above when
CLIENT notifies in writing that Bidder breaks the requirements specified in the ITB
documents⁽¹⁾.

This Bid Bond is valid for 150 days from the bid closing date. Any claim of CLIENT related to
this Bid Bond shall be received by [*name of the BANK*] before expiry of above mentioned
validity period.

Legal Representative of the BANK

[Specify name, title, sign and seal]

Notes:

⁽¹⁾ *If the Bidder is a Consortium and the Consortium Partners provide separate Bid Bond or
one Consortium Partner provides Bid Bond for the entire Consortium, then this requirement will
be amended as follows: "We shall immediately transfer to CLIENT the amount of money
mentioned above when CLIENT notifies in writing that BIDDER or any Partner in BIDDER's
Consortium breaks the requirements specified in the ITB documents".*

LICENSE FOR SALE OF THE MANUFACTURER FORM

Date: _____

To: **DOMESTIC PETROLEUM OPERATING BRANCH - PETROVIETNAM EXPLORATION PRODUCTION CORPORATION LIMITED** (hereinafter referred to as the "CLIENT")

Dear Sir,

Basing on the request by _____ [*name of the BIDDER*] (hereinafter referred to as "BIDDER") who participates in bidding for ITB No. PVEP-POC-26-10033 for ITB FOR PROVISION OF SERVICES FOR MANUFACTURING SPARE PARTS FOR SEAWATER LIFT PUMP & ELECTRIC SUBMERSIBLE PUMP ON FPU DH-01 ON DH-01 FPU.

We _____ [*name of the MANUFACTURER*], incorporated on _____ [*specify the date of incorporation of the Manufacturer*], are producing _____ [*list of GOODS to be supplied*] and have registered address at _____ [*address of the MANUFACTURER*], hereby authorize BIDDER to use the products manufactured by us to offer in its ITB.

We confirm that we will supply the all above GOODS to BIDDER for further supply to CLIENT and provide warranty for the GOODS under the Supply Contract signed between CLIENT and BIDDER.

Legal Representative of the MANUFACTURER

[Specify name, title, sign and seal]

Notes:

(1) *Manufacturer's Authorization is applicable only for GOODS which are specific, sophisticated, if necessary, CLIENT may request such Letter.*

UNPRICED PROPOSAL FORM

No.	Descriptions	P/N	Unit	Sun code	Q-ty	Bidder Proposal (VND)	Remark
I	Spare parts for Sea water Lift Pump A on FPU DH01, Weir Pumps, Type: SBWM 520 x 2 + 1						
1	Sleeve coupling	AI-304869-37	ea	2033208	4	Bidder to note "Quoted" or "No Quote"	
2	Column pipe	AI-304869-48	ea	2010237	4		
3	Line shaft	AI-304869-49	ea	2009838	4		
4	Bumper	AI-304869-34	ea	2009841	4		
5	Bottom lineshaft	AI-304869-47	ea	2009840	1		
6	Top shaft	AI-304869-53	ea	2033202	1		
7	Stud-Suction cover	AI-304869-7	ea	1365484	16		
8	Nut-Suction cover	AI-304869-8	ea	1364595	16		
9	Lock Nut-Suction cover	AI-304869-9	ea	1365137	16		
10	Stud-Intermediate chamber	AI-304869-18	ea	1364583	24		
11	Nut-Intermediate chamber	AI-304869-19	ea	1365204	24		
12	Bolt-Delivery chamber/taper pipe	AI-304869-29	ea	1365370	16		
13	Nut-Delivery chamber/taper pipe	AI-304869-30	ea	1365319	16		
14	Grub screw	AI-304869-39	ea	2014193	48		
15	Hex headed bolt	AI-304869-41	ea	1365307	24		
16	Nut	AI-304869-42	ea	2010247	24		
17	Set screws for lineshaft bearing	AI-304869-45	ea	1365423	42		
18	Shaft nut	AI-304869-28	ea	1365289	2		
II	Spare Parts for Electric Submersible Pump, Model: KN302-3a						
19	IMPELLER, Pos. B 2200.01	1074.363/6	ea	2033164	3	Bidder to note "Quoted" or "No Quote"	
	Total Price (exclusive of VAT) DDP PVEPPOC's warehouse, PTSC Downstream Port, Vung Tau, S.R. Vietnam - INCOTERMS 2020						

- *The proposed CONTRACT PRICE shall indicate whether it is inclusive of Vietnamese taxes (VAT, CIT, etc.) or not. In the event that the quoted prices do not specify this, they shall be treated as inclusive of all taxes.*
- *Failure to submit this form in accordance with the ITB's requirements may result in the Bidder's proposal being disqualified.*

(i) BIDDER'S EXCEPTIONS TO CONTRACT FORM

ARTICLE NO.	EXACT NEW WORDING PROPOSED BY BIDDER	REASON (S) FOR EXCEPTION	EFFECT ON DELIVERY

04. PRELIMINARY AND TECHNICAL EVALUATION CRITERIA

I. PRELIMINARY CRITERIA

No.	Criteria	BIDDERS		
		A	B	C
1	Place and time of Bid submission			
2	Original Proposal Letter			
3	Eligibility of Bidder			
4	Eligibility of Consortium agreements (if any) (pursuant to Article 1.3.b, Section 1 - Instructions to Bidder)			
5	Original Bid Proposal			
6	Validity of Bid Proposal			
7	Original Bid Bond			
8	Financial Capacity (detail in Table 1-A)			
	Final Essential Assessment			

Table 1-A: Financial Capacity

Financial Year End Currency	Requirement (%) in at least one of the last three years	2022 (%)	2023(%)	2024 (%)
1. Current Ratio	> 100			
2. Net profit margin (%)	> 0			

Note: These above requirements are evaluated according to “Qualified” or “Disqualified” result.

- “Qualified”: meet all requirements.
- “Disqualified”: not meet any of these above requirements.

TECHNICAL REQUIRMENTS AND TECHNICAL EVALUATION CRITERIA

I. TECHNICAL REQUIRMENTS

1. Thông số kỹ thuật cơ bản của thiết bị

1.1. Bơm cung cấp nước biển (Seawater Lift Pump SBWM 520x2).

a. Tên gọi: Seawater Lift pump SBWM 520x2.

b. Thông số kỹ thuật chính của bơm:

- Maker: Weir pump Ltd. Scotland.
- Pump type: SBWM 520x2 Stages
- Duty: Seawater (1.025 Ton/M3)
- Flowrate: 650 M3/h
- Total Head: 115.34M
- Minimum NPSH: 10.6M
- Speed: 1490 RPM.
- Efficiency: 80%
- Power consumption: 344 KW
- Driver: Electric Motor 6.6KV, 60 Hz
- Designed standard: Centrifugal Pump API 610.

1.2. Bơm điện chìm cung cấp nước biển (Seawater Elect Submersible Pump KN302-3A).

a. Tên gọi: Electrical Submersible Pump.

b. Thông số kỹ thuật chính của bơm:

- Maker: Pleuger Inc. now is Flowserve.
- Duty: Seawater (1.025 Ton/M3)
- Tag No: S/N 110600765
- Model: KN302-3A+VNI12-120-4
- Speed: 1750 RPM
- Flow rate: 650 M3/H
- Discharge head: 92.00 mH₂O
- Motor rate output: 260 KW, 345A, 600V/60 Hz-3 phase, 1730 RPM.
- Designed standard: Centrifugal Pump API 610.

2. Yêu cầu kỹ thuật đối với dịch vụ:

Cung cấp vật tư, dịch vụ thiết kế kỹ thuật, thiết kế quy trình công nghệ đúc, gia công thành phẩm các chi tiết theo bảng sau (tham khảo bản vẽ lắp bơm AO-302918 và bản Part List AI-304869):

Stt	Tên gọi	P/N	Vật liệu	Đvt	S.lg	Dwg. No.
1	Sleeve coupling	AI-304869-37	SUS 329 (JIS)	Ea	4	No.01
2	Column pipe	AI-304869-48	GGL-NiCr 15.6.2 (DIN)	Ea	4	No.02
3	Line shaft	AI-304869-49	SUS 329 (JIS)	Ea	4	No.03
4	Bumper	AI-304869-34	Neoprene (BS)	Ea	4	No.04
5	Bottom Line shaft	AI-304869-47	SUS 329 (JIS)	Ea	1	No.05
6	Top shaft	AI-304869-53	SUS 329 (JIS)	Ea	1	No.06
7	Stud-Suction cover	AI-304869-7	SUS 329 (JIS)	Ea	16	DIN 976-1
8	Nut-Suction cover	AI-304869-8	SUS 329 (JIS)	Ea	16	DIN 934
9	Lock Nut-Suction cover	AI-304869-9	SUS 329 (JIS)	Ea	16	DIN 934

10	Stud-Intermediate chamber	AI-304869-18	SUS 329 (JIS)	Ea	24	DIN 976-1
11	Nut-Intermediate chamber	AI-304869-19	SUS 329 (JIS)	Ea	24	DIN 934
12	Bolt-Delivery chamber/taper pipe	AI-304869-29	SUS 329 (JIS)	Ea	16	DIN 931
13	Nut-Delivery chamber/taper pipe	AI-304869-30	SUS 329 (JIS)	Ea	16	DIN 934
14	Grub screw	AI-304869-39	SUS 329 (JIS)	Ea	48	DIN 915
15	Hex headed bolt	AI-304869-41	SUS 329 (JIS)	Ea	24	DIN 931
16	Nut	AI-304869-42	SUS 329 (JIS)	Ea	24	DIN 934
17	Set screws for line shaft bearing	AI-304869-45	SUS 329 (JIS)	Ea	42	DIN 912
18	Shaft nut	AI-304869-28	SUS 329 (JIS)	Ea	2	No.07
19	IMPELLER, Pos. B 2200.01	1074.363/6	Duplex 2205 (ASTM)	Ea	1	No. 09

Yêu cầu kỹ thuật cụ thể đối với từng chi tiết như sau:

- Đối với Item No.1,3,5,6,18: Sleeve coupling (AI-304869-37), Line shaft (AI-304869-49), Bottom line shaft (AI-304869-47), Top shaft (AI-304869-53), Shaft nut (AI-304869-28).

+/Tham khảo bản vẽ thiết kế sơ bộ (05 trang A4 đính kèm), có thể tham khảo thêm chi tiết cũ do bên mời thầu cung cấp. Nhà thầu trình bản vẽ chế tạo các chi tiết theo TCVN, độ chính xác gia công cơ theo API 610.

+/Yêu cầu về vật liệu: Vật liệu yêu cầu theo mác Thép SUS329 (JIS) hoặc tương đương, thành phần hợp kim đạt được như sau (% theo trọng lượng): C-0.08; Si-0.75; Mn-1.00; P-0.004; S-0.30; Cr-23.00 -> 28.00; Mo-1.00 ->2.00; Ni-2.50 ->5.00.

Cung cấp kết quả kiểm tra cơ tính vật liệu, yêu cầu đạt được theo tiêu chuẩn mác thép SUS329(JIS). Kết quả Test thành phần hợp kim và thử cơ tính được tiến hành theo tiêu chuẩn ASTM E-415-2008.

+/Yêu cầu về kiểm tra: Cung cấp biên bản kiểm tra độ chính xác hình học và kích thước gia công, có chứng kiến của bên mời thầu.

+/ Đối với các Item No. 3, 5, 6 (Line shaft, Bottom line shaft & Top shaft): Trình bày sơ đồ đo kiểm tra độ chính xác (độ đảo) gia công các chi tiết.

- Đối với Item No.19: Impeller, Pos. B2200.01 (P/N: 1074.363/6)

+/Tham khảo bản vẽ thiết kế sơ bộ (01 trang A4 đính kèm), có thể tham khảo thêm chi tiết cũ do bên mời thầu cung cấp. Nhà thầu trình bản vẽ chế tạo theo TCVN, độ chính xác gia công theo API 610.

+/Yêu cầu về vật liệu: Vật liệu yêu cầu theo mác Thép Duplex 2205 (ASTM). Thành phần hợp kim % theo trọng lượng như sau: C-0.03 (max), Mo-2.5 – 3.5; Si: 1.0 (max); P: 0.03 (max); S: 0.02 (max); Cr: 21 - 23; Mo: 2.5-3.5; Ni: 4.5-6.5. Fe- Rest.

Cung cấp kết quả kiểm tra thành phần hợp kim và cơ tính vật liệu, yêu cầu đạt được theo mác Duplex 2205 (ASTM). Kết quả Test thành phần hợp kim và thử cơ tính được tiến hành theo tiêu chuẩn ASTM E-415-2008.

+ Cung cấp biên bản kiểm tra độ chính xác gia công và cân bằng động đạt được G 2.5, có chứng kiến của bên mời thầu.

- *Đối với Item No.4* : Bumper (AI-304869-34)

+/Tham khảo thiết kế sơ bộ (01 trang – đính kèm), nhà thầu trình bản vẽ chế tạo các chi tiết theo TCVN, độ chính xác gia công cơ theo API 610.

+/Vật liệu yêu cầu là Cao su đúc Neoprene (British Standard) hoặc hỗn hợp cao su đúc Nitrile có hàm lượng Acrylo Nitrile từ 35%.

*/Cung cấp chứng chỉ chất lượng của nhà sản xuất – Bản gốc hoặc bản copy (có đóng dấu sao y của nhà cung cấp). Cung cấp chứng chỉ của Cơ quan kiểm định (VRES, DIN...) cho cơ sở sản xuất – bản copy có xác nhận của nhà cung cấp.

- *Đối với Item No.7, 8, 9, 10, 11, 12, 13, 14, 15, 16, 17*: Stud (AI-304869-7), Nut (AI-304869-8), Lock nut (AI-304869-9), Stud (AI-304869-18), Nut (AI-304869-19), Bolt (AI-304869-29), Nut (AI-304869-30), Grub screw (AI-304869-39), Hex Head Bolt (AI-304869-41), Nut (AI-304869-42), Set screw (AI-304869-45). Là các chi tiết chế tạo theo tiêu chuẩn DIN.

+/Tham khảo kết cấu chi tiết theo tiêu chuẩn DIN tương ứng ghi ở bảng trên, nhà thầu trình bản vẽ chế tạo các chi tiết theo TCVN, độ chính xác gia công cơ theo API 610.

+/Yêu cầu về vật liệu: Vật liệu yêu cầu theo mác Thép SUS329 (JIS) hoặc tương đương, thành phần hợp kim đạt được như sau (% theo trọng lượng): C-0.08; Si-0.75; Mn-1.00; P-0.004; S-0.30; Cr-23.00 -> 28.00; Mo-1.00 ->2.00; Ni-2.50 ->5.00.

Cung cấp kết quả kiểm tra cơ tính vật liệu, yêu cầu đạt được theo tiêu chuẩn mác thép SUS 329(JIS). Kết quả Test thành phần hợp kim và thử cơ tính được tiến hành theo tiêu chuẩn ASTM E-415-2008.

- *Đối với Item No.2*: Tham khảo bản vẽ thiết kế sơ bộ (đính kèm) có thể tham khảo chi tiết bơm cũ (đã hết giá trị sử dụng). Nhà thầu tiến hành thiết kế chi tiết (theo API 610), lập quy trình công nghệ đúc, nhiệt luyện, ủ khử ứng suất dư, gia công cắt gọt chế tạo thành phẩm các chi tiết: Column Pipe (AI-304869-48).

+/Cung cấp bản vẽ thiết kế chi tiết (bản vẽ chế tạo theo TCVN).

+/ Cung cấp biên bản thử kín thủy lực các chi tiết hình ống #5, #10, #12 @ 20 Bar. Yêu cầu phối đúc để gia công chi tiết No.2: không có khuyết tật, ủ khử ứng suất, làm sạch bằng phun bi.

+/Yêu cầu về vật liệu: Vật liệu yêu cầu theo gang đúc Austenit Graphit mác GGL-NiCr 15.6.2 (DIN) Thành phần hợp kim đạt được theo DIN 1694-81. Cụ thể thành phần % theo trọng lượng như sau: C \leq 3.00; Si 1.0 – 2.8; Mn 0.50 – 1.50; Cr 1.00 – 2.50 ; Ni 13.5 – 17,5 ; Cu 5,5-7,5; Fe - Rest.

Cung cấp kết quả kiểm tra thành phần hợp kim và cơ tính vật liệu, yêu cầu đạt được theo mác gang GGL-NiCr 15.6.2 (DIN 1694-81). Kết quả Test thành phần hợp kim và thử cơ tính được tiến hành theo tiêu chuẩn ASTM E-415-2008.

+/ Cung cấp các biên bản kiểm tra độ chính xác gia công cơ theo các yêu cầu ghi trên bản vẽ chế tạo của chi tiết, có chứng kiến của đại diện bên mời thầu

- Cung cấp chứng chỉ chất lượng và xuất xứ cho các chi tiết chế tạo.

- Đóng gói, vận chuyển và bàn giao sản phẩm tại CCDV SX Cty PVEP-POC, cảng hạ lưu PTSC, đường 30 tháng 4, phường Rạch dừa, Tp. Hồ Chí Minh.

3. Yêu cầu đối với nhà thầu:

3.1. Có giấy phép kinh doanh phù hợp: hoạt động trong lĩnh vực chế tạo bơm công nghiệp công suất lớn và các thiết bị liên quan đến dòng chảy chất lỏng.

3.2. Có chứng chỉ ISO 9001 cho các hoạt động: Thiết kế, đúc, chế tạo bơm.

3.3. Có kinh nghiệm ít nhất 05 năm trong công tác chế tạo và sửa chữa bơm có công suất \geq 250KW (Submit similar contact).

3.4. Có thiết bị kiểm tra thử cơ tính và thành phần hợp kim của kim loại.

4. Thời hạn giao hàng: 16 tuần tính từ thời điểm ký kết biên bản đàm phán.

5. Các chi tiết nhà thầu cung cấp: yêu cầu mới 100%, sản xuất năm 2026.

6. Thời gian bảo hành: 12 tháng kể từ ngày bàn giao sản phẩm.

7. Tiêu chí đánh giá: Đạt/ Không đạt.

II. TECHNICAL EVALUATION CRITERIA

No.	Technical requirements	Level	Evaluation criteria
1	Đáp ứng các yêu cầu kỹ thuật như mục I.2		
1.1	Thiết kế chi tiết: thể hiện bởi bản vẽ chế tạo. (08 bản vẽ chế tạo theo TCVN)	Major	Acceptable/Not Acceptable
1.2	Trình bày quy trình công nghệ đúc, nhiệt luyện, gia công cắt gọt, b/v sơ đồ kiểm tra trực, thử kín thủy lực chi tiết hình ống.	Major	Acceptable/Not Acceptable
1.3	Cung cấp các yêu cầu về vật liệu như đã đề cập trong mục 2.	Major	Acceptable/Not Acceptable
1.4	Đáp ứng các yêu cầu về gia công và kiểm tra như nêu trong mục 2.	Major	Acceptable/Not Acceptable
1.5	Đóng gói theo tiêu chuẩn, vận chuyển và bàn giao tại kho của Cty PVEP-POC.	Major	Acceptable/Not Acceptable
2	Yêu cầu đối với nhà thầu, như mục I.3	Major	Acceptable/Not Acceptable
3	Thời hạn hoàn thành: như mục I.4 (16 tuần)	Major	Acceptable/Not Acceptable
4	Hàng mới 100%, sản xuất năm 2026	Major	Acceptable/Not Acceptable
5	Thời gian bảo hành: 12 tháng, như mục I.6	Major	Acceptable/Not Acceptable
	TECHNICAL EVALUATION RESULT	Acceptable or Not Acceptable	

- Acceptable of Tech. Requirement if all items are Acceptable.
- Not Acceptable of Tech. Requirement if any item is Not Acceptable.
- Major criteria shall be considered compliant only when the technical requirements are fully met

Note:

- Any Bidder failing to meet at least one of the Technical Evaluation Criteria shall be deemed technically unacceptable
- If Bidder passes the Technical Evaluation Assessment, it shall be accepted to the next phase – Commercial Assessment.



THE CONTRACT

Between

**DOMESTIC PETROLEUM OPERATING BRANCH - PETROVIETNAM
EXPLORATION PRODUCTION CORPORATION LIMITED**

And

CONTRACTOR

For

**PROVISION OF SERVICES FOR MANUFACTURING SPARE PARTS
FOR SEAWATER LIFT PUMP & ELECTRIC SUBMERSIBLE PUMP ON
FPU DH-01**

CONTRACT No.: PVEP-POC-.....

HOCHIMINH CITY, _____ 2026

TABLE OF CONTENTS

ARTICLE.	TITLE
	PREAMBLE
1.	INTERPRETATION OF CONTRACT
2.	DEFINITIONS
3.	FORM OF CONTRACT
4.	GOODS, QUANTITY AND SPECIFICATIONS
5.	CONTRACT PRICE
6.	DELIVERY
7.	NOTICE OF DELIVERY, SHIPPING DOCUMENTS, PACKING AND MARKING
8.	PASSING OF TITLE AND CONTRACTOR'S RISK
9.	ACCEPTANCE OF GOODS
10.	INVOICING AND PAYMENT
11.	TAX AND DUTY
12.	INSURANCE
13.	ACCESS AND AUDIT
14.	CONFIDENTIALITY
15.	SUPSPENSION
16.	TERMINATION
17.	WARRANTY
18.	ENGINEERING CODES AND STANDARDS
19.	MANUFACTURING CHANGES
20.	PATENT INDEMNITY
21.	LIABILITIES AND INDEMNITY
22.	LIMITATION OF LIABILITY
23.	LIENT AND CLAIMS
24.	FORCE MAJEURE
25.	HEALTH, SAFETY AND ENVIRONMENT
26.	ASSIGMENT AND SUBCONTRACT
27.	VENDOR DATA REQUIREMENTS AND SUBMITTAL
28.	EXPEDITING
29.	INSPECTION
30.	LIQUIDATED DAMAGES
31.	BANK GUARANTEE
32.	APPLICABLE LAW AND ARBITRATION
33.	LANGUAGE
34.	NON-EXCLUSIVE AGREEMENT
35.	ENTIRE AGREEMENT

EXHIBITS

EXHIBIT I	SCOPE OF SUPPLY AND TECHNICAL REQUIREMENTS
EXHIBIT II	CONTRACT PRICE
EXHIBIT III	SHIPPING DOCUMENT, PACKING AND MARKING REQUIREMENT
EXHIBIT IV	FORM OF BANK GUARANTEE
EXHIBIT V	FORM OF ACCEPTANCE PROTOCOL
EXHIBIT VI	FORM OF CONTRACT CLOSURE CERTIFICATE



PREAMBLE

This CONTRACT (hereinafter referred to as "CONTRACT") is made and entered into this _____ 202... effective as of the _____ 202... ("Effective Date") between

DOMESTIC PETROLEUM OPERATING BRANCH - PETROVIETNAM EXPLORATION PRODUCTION CORPORATION LIMITED, a company organized and existing under the Laws of S.R Vietnam and having its registered address at 15th Floor, Victory Tower, 12 Tan Trao Street, Tan My Ward, Ho Chi Minh City, S.R. Vietnam, (hereinafter referred to as "CLIENT") of the first part;

and

CONTRACTOR, a company incorporated under the laws of S.R Vietnam and having its registered office at ADDRESS, (hereinafter referred to as "CONTRACTOR") of the second part.

Hereinafter the parties of the first and second parts shall be referred to singularly as "Party" and collectively as "Parties".

WHEREAS: CLIENT is appointed as Authorized Operator's Attorney for the exploration, development and production of hydrocarbons for oil and gas fields offshore Vietnam;

WHEREAS: CLIENT requires PROVISION OF SERVICES FOR MANUFACTURING SPARE PARTS FOR SEAWATER LIFT PUMP & ELECTRIC SUBMERSIBLE PUMP ON FPU DH-01

(hereinafter referred to as the "GOODS") as described in the **EXHIBITS** (attached hereto and made a part hereof) and in accordance with the terms of this CONTRACT;

WHEREAS: CONTRACTOR represents that it is able and willing to supply the aforementioned GOODS and that it has the experience and capability to do so expeditiously.

NOW, THEREFORE, for and in consideration of the mutual covenants and agreements set forth herein, the Parties hereto agree as follows:

ARTICLE 1 – INTERPRETATION OF CONTRACT

1.1 The following documents together constitute this CONTRACT:

CONTRACT FORM

EXHIBIT I SCOPE OF SUPPLY AND TECHNICAL REQUIREMENTS

EXHIBIT II CONTRACT PRICE

EXHIBIT III SHIPPING DOCUMENT, PACKING AND MARKING REQUIREMENT

EXHIBIT IV FORM OF BANK GUARANTEE

EXHIBIT V FORM OF ACCEPTANCE PROTOCOL

EXHIBIT VI CONTRACT CLOSURE CERTIFICATE

1.2 Interpretation and Significance of Expressions

- a) In the event of ambiguity, inconsistency or conflict between the provisions of the CONTRACT and the Exhibits listed above, the CONTRACT shall prevail and precede over the Exhibits. In the event of disagreement between the Specification and

drawing, the Specification shall be decisive.

- b) In the event of ambiguity, inconsistency or conflict between the provisions of the Exhibits, CLIENT Representative shall have the discretion to decide the order of prevalence amongst the Exhibits.
 - c) Any reference to statute, statutory provision or statutory instrument shall include any re-enactment or amendment thereof for the time being in force.
 - d) All headings to the Articles of the CONTRACT are inserted for convenience of reference only and shall not affect the construction or interpretation of this CONTRACT.
 - e) At anytime and unless expressly stated otherwise, when the following expressions and description and derivatives thereof appear in the CONTRACT, their connotations shall be extended or limited as set out as follows:
 - "including", "included", "such as", "comprising", "comprise" and the like shall be deemed to be completed by the expression "but not limited to".
 - "require", "request", "submit", "answer", "notify", "instruct", "state", "inform", "agree", "approve", "advise" and the like shall be deemed to be completed by the expression "in writing".
 - "days" shall mean "consecutive calendar days", it being understood that all dates and time periods referred to in the CONTRACT relate to Gregorian calendar.
 - f) Where the context so requires, the singular includes the plural and vice versa and words of one gender include all genders.
 - e) Headings and table of contents are inserted only for convenience and shall not in any way limit or govern the construction of the CONTRACT.
- 1.3 Any references or details provided in any one of the above documents but not in others shall be taken as read in all documents in this CONTRACT.
- 1.4. (a) All Standards, Codes, Specifications, Drawings, Instructions and other documents that are referred to in the Exhibits are deemed as incorporated by reference and made a part of the CONTRACT. CONTRACTOR shall immediately notify CLIENT of ambiguity, inconsistency or conflict between any of these documents. CLIENT will then issue instruction regarding these documents. Otherwise, the Articles of the CONTRACT shall take precedence in the event of ambiguity or it being in conflict or inconsistent with any other referred document.
- (b) Should CONTRACTOR fail to give notice to CLIENT or fail to discover such ambiguity, inconsistency or conflict in the aforementioned documents as should have been discovered by CONTRACTOR, all extra costs resulting from such failure shall be borne by the CONTRACTOR, except when it was caused solely by negligence of CLIENT.
- 1.5 None of the documents herein before mentioned shall be used by CONTRACTOR for any purpose other than for this CONTRACT.

ARTICLE 2 - DEFINITIONS

- 2.1 "AFFILIATES" means any CLIENT which controls, or is controlled by, or which is controlled by an entity, which controls, a Party. For the purposes of this definition, "control" means the ownership directly or indirectly of more than fifty (50%) percent of the voting rights in a CLIENT.
- 2.2 "GOODS" means materials or products or goods to be purchased or to be supplied as specified in the CONTRACT.

- 2.3 "CLIENT" means DOMESTIC PETROLEUM OPERATING BRANCH - PETROVIETNAM EXPLORATION PRODUCTION CORPORATION LIMITED or any its divisions, AFFILIATES so named in the CONTRACT.
- 2.4 "CONTRACT" means the CONTRACT document and any other documents listed herein and shall constitute the entire agreement between the Parties and the appendices as may be amended by any special conditions referred to in the CONTRACT.
- 2.5 "CONTRACT PRICE" means the Price payable to CONTRACTOR as specified in the Article headed CONTRACT PRICE.
- 2.6 "Country of Origin" means the place where the GOODS were mined, grown, cultivated, produced, manufactured or where GOODS and its parts are processed, assembled, further manufactured to have a merchantable product that has substantial differentiation from the components from which it is composed.
- 2.7 "Day" means calendar day.
- 2.8 "Delivery Date" means the date a clean Bill of Lading or Air Way Bill for GOODS shipment.
- 2.9 "Delivery Time" means the time required by CONTRACT to deliver GOODS as stipulated in the Article headed Delivery.
- 2.10 "Incoterms": unless inconsistent with any provision of the contract where that provision of the contract shall prevail, the meaning of any trade term, for example EXW, FOB, CIF, CIP, FCA, CFR and the rights and obligations of parties thereunder shall be as prescribed by Incoterms version 2020 published by the International Chamber of Commerce in Paris, France.
- 2.11 "Liquidated Damage" is the sum which party to CONTRACT agrees to pay if a Party breaks particular promise and, which having been arrived at by good faith effort to estimate actual damage that shall probably ensue from breach, is recoverable as agreed damages if break occurs.
- 2.12 "SPECIFICATIONS" means the specifications of GOODS attached to the CONTRACT; the specifications also include the inspection method of GOODS and packing standards, the specifications shall constitute an integral part of the CONTRACT.
- 2.13 "CONTRACTOR" means the person(s), firm, company or entities named in the CONTRACT to supply GOODS hereinafter defined and shall include the CONTRACTOR's legal personal representatives, successors and assignees.
- 2.14 "SERVICES" means all works, services and obligations to be performed, provided or otherwise fulfilled by CONTRACTOR pursuant to and in accordance with the Terms and Conditions of the CONTRACT, including without limitation the work and services described in the CONTRACT, together with any operations carried out in connection therewith, and the physical result of the performance of such work, services and obligations.

ARTICLE 3 - FORM OF CONTRACT

- 3.1 CLIENT shall not be liable for any orders or amendments other than those issued or confirmed on this CONTRACT and any amendment thereto.
- 3.2 CLIENT may make changes in the SPECIFICATIONS or drawings, including additions to or deletions from the quantities of GOODS originally ordered. If any such changes affect the amount due and/or the time of performance hereunder, an equitable adjustment shall be made as mutually agreed by CLIENT and CONTRACTOR to the amount due and/or the time of performance, as the case may be by the issuance of CLIENT's Change Order.

- 3.3 Authorized Change Order requests made after Effective Date of CONTRACT shall be priced properly justified and immediately submitted to CLIENT for approval. CLIENT reserves the right to accept or reject any or all requests.

ARTICLE 4 - GOODS, QUANTITY AND SPECIFICATIONS

- 4.1 CONTRACTOR shall supply the GOODS to CLIENT with SPECIFICATIONS, quantity, unit as described in Exhibit I attached hereto, which forms an integral part of this CONTRACT.
- 4.2 The GOODS shall be brand new, fully meet all specifications and requirements as stated in Exhibit I, and conform to quality standards of relevant Manufacturers, when no applicable standard is mentioned, the appropriate official standards of the Country of Origin shall be applicable.
- 4.3 Manufacturer and Country of Origin: as requested in Exhibit I.
- 4.4 Within three (3) weeks from the Effective Date, CONTRACTOR shall submit the Production Schedule by email and/or courier to CLIENT (This provision applicable to "Make to Order/ MTO GOODS").

ARTICLE 5 - CONTRACT PRICE

- 5.1 The CONTRACT PRICE shall be detailed in accordance with the Exhibit II of this CONTRACT.
- 5.2 The CONTRACT PRICE referred to in this Article shall be understood DDP PVEP-POC's warehouse, PTSC Downstream Port, Vung Tau, S.R. Vietnam - INCOTERMS 2020, unless otherwise expressly stipulated in this CONTRACT, including without limitation the value of the GOODS, charges of marking and packing, transportation cost, technical documentation, expenses for test and inspection performed by CONTRACTOR or its manufacturer prior to shipment and obtaining necessary certificates and licenses, warranty services (if any) and all taxes, duties and other expenses in connection with the execution of this CONTRACT outside the CLIENT's country

The price is fixed and not subject to change for the whole term of the CONTRACT, with the exception of any price adjustments authorized in the Contract.

ARTICLE 6 - DELIVERY

- 6.1 Time is of the essence for the delivery of GOODS specified under the CONTRACT. CONTRACTOR shall give written notice to CLIENT of any anticipated delay. In case of actual or anticipated delay, CLIENT may terminate the CONTRACT in manner as specified in the Article headed TERMINATION.
- 6.2 Unless otherwise provided herein, the delivery of GOODS shall be governed and/or construed in accordance with the provision of Incoterms 2020, ICC and any amendments thereto.
- 6.3 The Commodity supplied under this CONTRACT shall be delivered in 01 (one) shipment in the basis of DDP PVEP-POC's warehouse, PTSC Downstream Port, Vung Tau, S.R. Vietnam - INCOTERMS 2020.
- 6.4 Delivery time shall be within 17 weeks from the date of signing the Contract.
Delivery Schedule shall be as per the Exhibit I of this Contract.
- 6.5 CONTRACTOR shall be responsible for and bear all risks and relevant costs and damages and/ or loss caused to CLIENT arising out of or relating to CONTRACTOR's sending GOODS to the wrong destination.

CONTRACTOR shall be responsible for any incremental installation cost and/ or transportation cost and/ or any other reasonable cost/ expenses resulting from late delivery.

ARTICLE 7 - NOTICE OF DELIVERY, SHIPPING DOCUMENTS, PACKING AND MARKING

7.1 Immediately but not later than four (4) days before the Delivery Date, CONTRACTOR shall send the Shipping Documents as stipulated in Exhibit III of this CONTRACT in English language to CLIENT by Express Courier at the CONTRACTOR's expenses.

CONTRACTOR shall also advise CLIENT of the following information to enable CLIENT to support if necessary customs procedures for import of the shipped GOODS:

(a) CONTRACT number and GOODS description;

(b) Number of packages;

(c) Weight and dimension of each package;

(d) Vessel's name (Carrier/Flight Number for air freight), estimated time of departure (ETD) from port/ airport of export and estimated time of arrival (ETA) at port/ airport of discharge.

(e) Other necessary information.

7.2 Within two (2) days before the Delivery Time as specified in Article headed Delivery, CONTRACTOR shall send the written Delivery Notice in which shall be specified the information as requested in Article 7.1 hereof.

7.3 GOODS shall be packed, marked and delivered in original and standard packing for export and suitable for the nature of GOODS and transportation in accordance with Packing and Marking Requirement as stipulated in Exhibit III of this CONTRACT.

ARTICLE 8 - PASSING OF TITLE AND CONTRACTOR'S RISK

8.1 Receipt and When GOODS are delivered

GOODS shall be deemed delivered upon signing by CLIENT and CONTRACTOR of a Acceptance Protocol in accordance with the Article headed Acceptance of GOODS.

8.2 Passing of Title and Risk

GOODS shall remain at CONTRACTOR's risk until GOODS shall be delivered as stipulated in this Article 8.

Property and Title in GOODS shall be passed to CLIENT when the GOODS are delivered stipulated in this Article 8, unless otherwise agreed in this CONTRACT.

ARTICLE 9 - ACCEPTANCE OF GOODS

9.1 CLIENT or its duly appointed representative shall have the right to inspect and if necessary to reject and to request for replacement of GOODS or parts thereof which do not comply with the CONTRACT.

9.2 In the case of GOODS or parts thereof delivered by CONTRACTOR not in conformity with the CONTRACT, whether by reason of not being the quality or not in the quantity or measurements stipulated or being unfit for the purpose for which they are required where such purpose has been made known to CONTRACTOR or not meeting the requirement of Shipping Documents as stipulated under the CONTRACT, CLIENT shall have the right to reject or not to accept such GOODS, request SUPPLIER to repair or replace such GOODS; supply any shortfall in the event of shortfall in delivery and to purchase. CONTRACTOR shall bear all expenses incurred by either CONTRACTOR or CLIENT as a result of the rejection, repair or replacement of GOODS or supply of shortfall in delivery including but not limited to cost of transportation and customs duties.

- 9.3 In case of partial delivery, any delay or failure shall be deemed a breach of the CONTRACT and CLIENT reserves the right to terminate CONTRACT or refuse to accept GOODS respectively.
- 9.4 Where CLIENT or its appointed party makes an inspection of a representative sample of GOODS not in accordance with the SPECIFICATIONS in the respective sample, CONTRACTOR shall bear the additional cost of inspecting the whole of GOODS supplied to ascertain their quality or quantity or measurement stipulated or being fit for the purpose of which they are required.
- 9.5 Acceptance Protocol

Upon arrival of GOODS at the place of delivery in accordance with the Article headed as DELIVERY, within 03 (three) days after receiving the notice from CLIENT (by fax), CONTRACTOR shall, at its own cost, arrange and assign an authorized representative to be present at CLIENT's warehouse to assist CLIENT in becoming familiar with the operation of the GOODS during the period of inspection prior to acceptance of GOODS. However, CLIENT's performance shall not release CONTRACTOR from its obligations and responsibilities under CONTRACT, including without limitation CONTRACTOR's warranty obligations.

Upon completion of the inspection prior to acceptance of GOODS, CLIENT shall issue an Acceptance Protocol in accordance with Exhibit V of this CONTRACT which will be duly signed by authorized representatives of both Parties and the third party for handover of GOODS. All costs, expense of the trip and stay of the CONTRACTOR's representative shall be at the CONTRACTOR's account.

Should any GOODS fail to pass inspection prior to acceptance of GOODS, CLIENT may reject such defective GOODS, in whole or in part, and CONTRACTOR shall immediately either replace the rejected GOODS or make alterations necessary to meet specifications and requirements under CONTRACT free of charge to CLIENT.

Both Parties shall agree that the Acceptance Protocol shall be final and binding evidence regarding the quantity, quality and status of GOODS for CLIENT to make payment to the CONTRACTOR under this CONTRACT and CONTRACTOR hereby agree to make no claim or any similar request to CLIENT for any payment which is not supported or substantiated by the Acceptance Protocol. However, the issuance of the said Acceptance Protocol itself shall not in any way release CONTRACTOR from any of its obligations under this CONTRACT, including without limitation CONTRACTOR's warranty obligations.

ARTICLE 10 - INVOICING AND PAYMENT

- 10.1 CONTRACTOR's invoice(s) shall not be submitted until the GOODS are due and have been delivered and accepted by CLIENT. Unless otherwise stated in CONTRACT, payment shall be made by 100% T/T (Telegraphic Transfer) within forty-five (45) days following receipt of CONTRACTOR's undisputed invoice and all necessary supporting documents. If the forty fifth (45) day falls on a Saturday or Sunday or a gazetted S.R. Vietnam public holiday, the next working day shall be deemed to be the due date of payment.
- 10.2 Invoices shall indicate CONTRACT number and title and shall be submitted in one (1) original and two (2) copies complete with the necessary documentation required by COMPANY and shall be addressed to:

DOMESTIC PETROLEUM OPERATING BRANCH - PETROVIETNAM
EXPLORATION PRODUCTION CORPORATION LIMITED

Address: 15th Floor Victory Tower, 12 Tan Trao Street, Tan My Ward, Ho Chi Minh City, S.R Vietnam

Attn: Manager, Finance & Accountant Department

- 10.3 Payments in respect of disputed items may be withheld by CLIENT until the settlement of the dispute by mutual agreement. Payments made by CLIENT shall not preclude the right of CLIENT to thereafter dispute any of the items invoiced.
- 10.4 In the event that CLIENT disputes any items on a particular invoice, CLIENT shall only be entitled to withhold from payment the actual amount in dispute. If CLIENT disputes any items on an invoice, CLIENT shall inform CONTRACTOR of the disputed item within thirty (30) days of the receipt by CLIENT of that particular invoice.
- 10.5 CLIENT shall be entitled to withhold payment if any of CONTRACTOR's invoices which do not include sufficient supporting documentation required by CLIENT.
- 10.6 All payments to CONTRACTOR shall be made to:

Bank Name :

Account No. :

CONTRACTOR shall advise CLIENT on its account details and/or any changes to its account details if any by an at least 15 days in advance notice. Should CONTRACTOR fail to give such notice in due time to CLIENT, CONTRACTOR shall bear all risks associated with wrong/incorrect money transfer made by CLIENT.

- 10.7 Within forty-five (45) days from CONTRACTOR's invoice shall fully be paid by CLIENT to CONTRACTOR, CONTRACTOR shall provide CLIENT with CONTRACT Closure Certificate as per format in the EXHIBIT VI of this CONTRACT to the date of such statements in connection with GOODS have been fully received and finally paid by CLIENT to CONTRACTOR.

ARTICLE 11 - TAX AND DUTY

- 11.1 CONTRACTOR shall be entirely responsible for all taxes, duties, export license fees (if any), customs fees imposed on the CONTRACTOR other than Vietnam in connection with the performance of CONTRACT. CONTRACTOR shall indemnify and keep harmless CLIENT from any and all claims and liabilities arising from its non-compliance with this Article 11.1.
- 11.2 CLIENT shall pay and shall be responsible for all taxes, duties and fees imposed on CLIENT's country in connection with the performance of CONTRACT. CLIENT shall indemnify and keep harmless CONTRACTOR from any and all claims and liabilities arising from its non-compliance with this Article 11.2.

ARTICLE 12 - INSURANCE

CONTRACTOR at its own cost, shall insure GOODS supplied under this CONTRACT for each shipment in the currency stated in the CONTRACT covering All Risk Clause with a reputable insurance company in an amount of 125% of CIF value of the GOODS.

Notwithstanding anything to the contrary herein, CONTRACTOR shall bear the risks to GOODS until such GOODS is handed over to CLIENT in accordance with the Article headed Passing of Title and CONTRACTOR's Risk.

With respect to GOODS to which the ownership rights must, as provided for by law, be registered, CONTRACTOR shall bear risks to such GOODS until the registration procedures are completed or until such GOODS is handed over to CLIENT in accordance with Article headed Passing of Title and CONTRACTOR's Risk, whichever is later.

ARTICLE 13 - ACCESS AND AUDIT

- 13.1 CLIENT shall have the right to expedite and inspect the GOODS at any time and/or audit all CONTRACTOR's documents and records related to this CONTRACT. Such right shall remain in full force until up to three (03) years after expiry or termination of this CONTRACT.
- 13.2 CONTRACTOR shall permit at its work sites and at the work sites of any of its Sub-CONTRACTOR such as expediting and inspection surveillance as is considered necessary by CLIENT. Any such expediting, inspection or any failure to do so shall in no way relieve CLIENT of his obligations under the CONTRACT.

ARTICLE 14 - CONFIDENTIALITY

CONTRACT shall be treated as confidential and CONTRACTOR shall not make use of CLIENT's name or the name of any company or companies associated with CLIENT for publicity purposes without prior written consent of CLIENT. Furthermore, all designs, drawings, specifications and information that may be supplied in connection with this CONTRACT are confidential and must only be used for the purpose of this CONTRACT. No public statements, announcements or circulars regarding this CONTRACT or the activities of the Parties relating thereto shall be made or issued by or on behalf of CONTRACTOR without the prior written approval of CLIENT.

ARTICLE 15 - SUSPENSION

CLIENT shall have the right to suspend the CONTRACT for the following reasons:

- (a) Force Majeure in accordance with the Article headed Force Majeure;
- (b) In the event of any complete or partial stoppage of CLIENT projects;
- (c) Failure on part of CONTRACTOR to perform any obligation under CONTRACT.

Such suspension shall remain in force until the time that the above reasons are no longer applicable or otherwise when waived in writing by CLIENT.

ARTICLE 16 - TERMINATION

- 16.1 CLIENT may terminate the CONTRACT at any time by giving written notice to CONTRACTOR. Upon receipt of such notice, CONTRACTOR shall cease supply of GOODS and CLIENT shall pay CONTRACTOR a fair price with proper supporting evidences for any GOODS delivered at the date when such notice is given.

In case of such termination, CONTRACTOR shall

- (i) use its best endeavors to effect the immediate cancellation of orders which it may have placed with others and discontinue all works of manufacturing GOODS, and
 - (ii) upon CLIENT's request, deliver to CLIENT any or all the work, drawings, SPECIFICATIONS, data sheet and other matters that CONTRACTOR may have prepared for GOODS and all materials, supplies and equipment paid for by CLIENT either directly or in directly, and CLIENT shall have the right to make use of same for such purposes as CLIENT may desire, and
 - (iii) not be entitled to any prospective profits or incidental, indirect, consequential or other damages because of termination.
- 16.2 In the event the CLIENT terminates the CONTRACT in whole or in part in any of the following cases:
- (i) CONTRACTOR's failure to deliver GOODS by the time as specified in the Article headed DELIVERY;

- (ii) CONTRACTOR's failure to replace and/ or make good the defective GOODS as specified in the Article headed Acceptance of GOODS;
- (iii) CONTRACTOR's failure to perform or to comply with any other obligations under CONTRACT;

CLIENT may, at its own discretion and as it deems fit, forfeited the Bank Guarantee, correct such CONTRACTOR's breach by purchasing new GOODS, making good the defective GOODS by services of a third party, or otherwise and all cost and expense arising therefrom shall be at CONTRACTOR's account. In addition, CONTRACTOR shall compensate CLIENT for all losses and/or damages arising from such CONTRACTOR's breach of CONTRACT and shall pay to CLIENT a penalty of eight per cent (8%) of the value of the whole or the part of the CONTRACT so terminated. Payment for all these costs, expense, compensation and penalty if any shall be made to CLIENT within 10 (ten) days of CONTRACTOR's receipt of CLIENT's first written request.

- 16.3 In the event the CLIENT terminates the CONTRACT in whole or in part pursuant to CONTRACTOR's failure to submit the Bank Guarantee on schedule in accordance with the Article headed as Bank Guarantee, CONTRACTOR shall pay to CLIENT a penalty of eight per cent (8%) of the value of the whole or the part of CONTRACT so terminated within 10 (ten) days of CONTRACTOR's receipt of CLIENT's first written request.

ARTICLE 17 - WARRANTY

- 17.1 CONTRACTOR warrants that the GOODS supplied under this CONTRACT are new, unused, of the most recent or current models, and are fully in compliance with all specifications and requirements of this CONTRACT and that they incorporate all recent improvements in design and materials unless provided otherwise in the CONTRACT. CONTRACTOR further warrants that all GOODS supplied under this CONTRACT shall have no defect, arising from design, materials, or workmanship or from any act or omission of the CONTRACTOR, that may develop under normal use of the supplied GOODS in the conditions prevailing in the Country of CLIENT.
- 17.2 CONTRACTOR warrants for normal operation of the GOODS for twelve (12) months from the date of signing Acceptance Protocol.
- 17.3 Should any shortage, defects (whether latent or apparent) be revealed or should the quality of the GOODS not conform to the technical standards and SPECIFICATIONS under this CONTRACT, CLIENT shall have the right to make claim to CONTRACTOR. CLIENT shall notify the CONTRACTOR of its claim in writing arising under this warranty.
- 17.4 Within fifteen (15) days from CONTRACTOR's receipt of CLIENT's claim (excluding the normal time for transportation of replacement parts), CONTRACTOR shall replace and/or make good the defective GOODS or parts thereof without any cost to CLIENT. CONTRACTOR shall ensure that the replaced and/or repaired GOODS shall meet all SPECIFICATIONS and requirements of this CONTRACT and CONTRACTOR shall give a warranty for normal operation of the replaced GOODS/parts for twelve (12) months from the date of replacement.
- 17.5 In the case of CONTRACTOR's not in agreement with CLIENT's claim, CONTRACTOR must notify CLIENT of its disagreement within five (5) days of CONTRACTOR's receipt of CLIENT's claim, and failing such notification CONTRACTOR shall be deemed to have accepted CLIENT's claim. In the case of the CONTRACTOR's disagreement, CLIENT may invite an independent inspection organization to carry out the inspection and notify CONTRACTOR of the time and name of the independent inspection organization. CONTRACTOR may, at its own cost and in its discretion, participate in the inspection. The report issued by the said inspection organization shall be the conclusive, final,

sufficient and legal evidence to substantiate CLIENT's claim (regardless of CONTRACTOR's participation in the inspection or not). If, after the inspection report is made and it is found that the causes of the defect are those other than CLIENT's mistake in operation, then Article 17.4 above shall apply and the date of issuance of the inspection report shall be deemed the date of CONTRACTOR's receipt of CLIENT's claim. The cost of this inspection shall be at CONTRACTOR's expense.

- 17.6 Should CONTRACTOR fail to deliver the replacements for the defective GOODS and/or fail to make good the defects thereof within the above stipulated time in accordance with Article 17.4 above, CLIENT will have the right, at its own discretion, to make good the defect or replace the defective GOODS with new ones from a third party, and CONTRACTOR undertakes to immediately reimburse CLIENT at CLIENT's first request for all actual relevant cost and expenses arising therefrom.
- 17.7 The claim of latent defects or non-conformity of GOODS shall be submitted to the CONTRACTOR not later than thirty (30) days after the expiration of the warranty period. No claim shall be submitted later than thirty (30) days after the expiration of the Warranty Period.
- 17.8 When the replacement or repair (if any) has been made and all related costs, expenses, damages, agreed and liquidated damages have been settled, CLIENT's claim is to be considered finally settled.
- 17.9 All the claim amount, for which the CONTRACTOR is responsible to CLIENT under this CONTRACT, shall be paid by telegraphic transfer not later than ten (10) days upon the date of CLIENT's claim telex/telefax or may be deducted from the payment to CONTRACTOR under this Contract or finally settled by Arbitration as per provisions of this CONTRACT.
- 17.10 Nothing in this Article 17 shall deprive CLIENT of its right for compensation and/or penalty as stipulated in Articles headed as Liquidated Damages.

ARTICLE 18 - ENGINEERING CODES AND STANDARDS

The codes and standards which apply to GOODS covered by this CONTRACT are listed in the SPECIFICATIONS. These codes and standards may be revised from time to time and it shall be the CONTRACTOR's responsibility to ensure that the latest revisions to these codes and standards are being adhered to. Any difference in these codes and standards and revisions shall be immediately notified in writing to CLIENT.

ARTICLE 19 - MANUFACTURING CHANGES

CLIENT shall be advised of all changes in the SPECIFICATIONS or method of construction of GOODS supplied before such changes are implemented. In the event of CLIENT accepting the change, written approval shall be sent to CONTRACTOR.

ARTICLE 20 - PATENT INDEMNITY

- 20.1 CONTRACTOR shall indemnify CLIENT against any claim of infringement of patents, registered designs or other rights which arise as a result of the sale or use of GOODS supplied by CONTRACTOR. This indemnity shall not extend to instances in which GOODS concerned have been supplied to the design of CLIENT.
- 20.2 CONTRACTOR is obliged to secure that the ownership rights to GOODS are not disputed by a third party. In case there is any dispute by a third party, CONTRACTOR shall take side with CLIENT in order to protect CLIENT's interests. If the third party is entitled to own part or the whole of GOODS, CLIENT shall be entitled to cancel the CONTRACT and CONTRACT shall compensate CLIENT for all damage including, but not limited to the refund of CONTRACT PRICE, liquidated damage, legal cost, and attorney fees.

ARTICLE 21 - LIABILITIES AND INDEMNITY

- 21.1 CONTRACTOR shall be responsible and shall protect, indemnify and save CLIENT harmless from and against any claims, demands and causes of action for damage to any property as well as death of or personnel injury to any person arising out of the act or omission to act, negligent or otherwise, of CONTRACTOR, CONTRACTOR's employees and CONTRACTOR's agents. CONTRACTOR shall carry and maintain all applicable insurance as required by law and this CONTRACT.
- 21.2 CONTRACTOR shall be liable for, indemnify and hold CLIENT (including CLIENT' officers, director employees or agents), harmless from all damages, claims, losses, expenses and/or reasonable attorney fees including, but not limited to, suits or claims for damages for death, human bodily injury or other property resulting from any defects of the GOODS even if the quality of GOODS conforms to the SPECIFICATIONS and has passed the inspection by CLIENT.

ARTICLE 22 - LIMITATION OF LIABILITY

Neither Party shall be liable to the other for any indirect or remote losses of any kind or for damages for loss of anticipated revenue or profits, nor any special, punitive, exemplary or consequential damages, including, but not limited to, loss of goods, cost of capital, cost incurred in connection with labor, overheads, general administrative, transportation, substitute facilities, support sources or other similar damages.

ARTICLE 23 - LIENS AND CLAIMS

CONTRACTOR shall indemnify and hold CLIENT harmless from all liens, claims, assessments, fines and levies created, caused or committed by CONTRACTOR or by its Sub-contractors and all costs, damages and expenses incidental thereto, including without limitation all court and arbitration costs, attorney's fees and other reasonable expenses.

ARTICLE 24 - FORCE MAJEURE

- 24.1 Neither CONTRACTOR nor CLIENT shall be liable to other Party for any breach of the Terms and Conditions of the CONTRACT where such breach occurs as a result of a Force Majeure.
- 24.2 The events falling within Force Majeure include but are not limited to Acts of God or force of nature, landslide, lightning, earthquake, flood, fire, explosion, storm or storm warning tidal wave, shipwreck and perils to navigation, act of war (declared or undeclared) or public enemy, strike act (excluding strikes, lockouts or other industrial disputes or action solely amongst employees of CONTRACTOR or its sub-contractor(s)) or omission of sovereign states or those purporting to represent sovereign states, blockade, embargo, quarantine, public disorder, sabotage or similar events beyond the control of the Parties or either of them. Force Majeure shall exclude financial distress on the part of CONTRACTOR or its sub-contractor(s).

Subject to the above, a Party claiming the benefit or protection of this Article, without delay, takes all reasonable steps to remove its inability to comply with the provisions of the CONTRACT.

ARTICLE 25 - HEALTH, SAFETY AND ENVIRONMENT ("HSE")

CONTRACTOR shall be responsible for the HSE of all persons engaged on the performance of CONTRACT and all persons who may be affected by activities of CONTRACTOR and shall comply with all the HSE regulations and procedures.

ARTICLE 26 – ASSIGNMENT AND SUBCONTRACT

CLIENT shall not be liable for any orders other than those issued or confirmed on CONTRACT or any amendment thereto. CONTRACTOR shall not assign or subcontract any

part of the CONTRACT, with the prior written approval of CLIENT.

CONTRACTOR shall procure for CLIENT the right to enter the sub-contractor's premises for the purpose of expediting and inspection.

ARTICLE 27 - VENDOR DATA REQUIREMENTS AND SUBMITTAL

Drawings and vendor data are to be submitted in strict compliance with the SPECIFICATIONS. If for any reason, the transmission of drawings and vendor data shall be delayed, CLIENT is to be informed immediately in writing, giving reason in for such delay. All drawings and vendor data shall be delivered to CLIENT by hand or through courier service.

All preliminary, intermediate and final drawings and vendor data to be furnished shall be subjected to expediting by CLIENT or its appointed CONTRACTOR.

ARTICLE 28 - EXPEDITING

28.1 CLIENT or its appointed third party shall have the right to visit CONTRACTOR's mill and plant and those of Sub-contractors for expediting purposes at any time prior to shipment of GOODS. CONTRACTOR and its Sub-contractors shall provide access to their works at all times to CLIENT or its appointed third party. CONTRACTOR's sub-orders must carry a note to this effect.

28.2 Expediting of CONTRACT performance and CONTRACTOR's sub-orders by CLIENT or its appointed third party does not relieve Sub-contractors from their responsibilities to ensure that all sub-orders are delivered to CONTRACTOR's works or plant by the due date.

ARTICLE 29 - INSPECTION

29.1 CLIENT or its appointed third party shall have the right to inspect, witness tests and survey the quality of GOODS at CONTRACTOR's and its Sub-contractors' plants at any time during manufacturing of GOODS. CONTRACTOR is required to provide every facility for such right to CLIENT or its appointed third party. CONTRACTOR's Sub-orders to its Sub-contractor(s) shall carry a note to this effect. CONTRACTOR's failure to instruct Sub-contractor(s) of the right to CLIENT or its appointed third party to make plant visit for Quality Assurance purposes at any time prior to shipment of GOODS may result in rejection of GOODS manufactured at Sub-contractor(s)' plants.

29.2 CONTRACTOR shall include in all orders to Sub-contractor(s) those SPECIFICATIONS included with the CONTRACT, which governs the manufacturing, or testing of GOODS produced by each Sub-contractor(s). Such SPECIFICATIONS, data or other technical description shall be available for review by CLIENT or its appointed third party at the Sub-contractor's facility.

29.3 Should any inspected or tested GOODS fail to conform to the SPECIFICATIONS, CLIENT may reject them and CONTRACTOR shall either replace the rejected GOODS or make all the alternations necessary to comply SPECIFICATIONS requirements free of cost to CLIENT.

29.4 CLIENT shall reserve right to inspect, test and, where necessary, reject GOODS after GOODS' arrival in Vietnam and shall in no way be limited or waived by reason of GOODS having previously been inspected, tested and passed by CLIENT or its appointed third party prior to GOODS' shipment from the country of origin.

29.5 Nothing in this Article shall in any way release CONTRACTOR from any warranty or other obligations under the CONTRACT.

ARTICLE 30 - LIQUIDATED DAMAGES

- 30.1 Should CONTRACTOR fail to deliver GOODS by the time as specified in the Article headed DELIVERY and/or to replace and/or make good the defective GOODS as specified in the Article headed Acceptance of GOODS, CONTRACTOR shall have to pay CLIENT the agreed and liquidated damages at the rate of 2 % (two percent) of the CONTRACT value per week of delay in delivery or in replacement or repair up to maximum of 8% (eight percent) of the CONTRACT value.
- 30.2 The rate of agreed and liquidated damages is not subject to any alteration by Arbitration or any third parties. The amount of agreed and liquidated damages may be deducted by CLIENT from CONTRACTOR's Invoices while effecting the payment. Should CLIENT fail to deduct the sum of money of agreed and liquidated damages from the CONTRACTOR's Invoice, CONTRACTOR shall have to pay it immediately but not later than ten (10) days upon the CLIENT's first written request.

ARTICLE 31 - BANK GUARANTEE

- 31.1 As soon as possible but not later than seven (7) days from the Effective Date of CONTRACT, CONTRACTOR, through a first class bank acceptable to CLIENT, shall open the Bank Guarantee, in favor of CLIENT, covering ten percents (10%) of CONTRACT PRICE. The validity of the Bank Guarantee shall cover the Warranty Period as stated in Article headed as WARRANTY plus 30 (thirty) days. The Bank Guarantee shall be advised to CLIENT through Vietcombank, Ho Chi Minh City Branch.
- 31.2 The content of the Bank Guarantee shall be in conformity with the Exhibit IV of CONTRACT, which forms an integral part of this Contract.
- 31.3 In the case the Bank Guarantee is not received by CLIENT within fifteen (15) days from the Effective Date of CONTRACT or in the case the Bank Guarantee is not in the same form and wording as per Exhibit IV of CONTRACT, and CONTRACTOR fails to remedy the requirement within seven (7) days from the receipt of CLIENT's notification, then CLIENT may, at its own discretion, terminate CONTRACT.
- 31.4 Should CLIENT make use of the Bank Guarantee, CLIENT will inform the CONTRACTOR immediately (but for information purpose only).
- 31.5 All cost, fees relating to the Bank Guarantee shall be at the CONTRACTOR's account.

ARTICLE 32 - APPLICABLE LAW AND ARBITRATION

- 32.1 The CONTRACT and all questions concerning its formation, validity, interpretations and performance shall be governed under the Laws of the S.R. Vietnam.
- 32.2 Any disputes arising out of or in connection with any CONTRACT which could not settled through negotiation between the two Parties shall be finally settled by the Vietnam International Arbitration Center (VIAC) besides Vietnam Chamber of Commerce and Industry (VCCI) under VIAC Arbitration Rules for final settlement. The place of Arbitration shall be in Ho Chi Minh City, Vietnam. The Arbitral Board shall be three (3) arbitrators and the language of Arbitration shall be English. The costs of Arbitration shall be borne by the lost Party. The award made in accordance with the provisions of this Article shall be final and binding upon two Parties.

ARTICLE 33 - LANGUAGE

All documents produced by CONTRACTOR in the performance of the CONTRACT as well as all written communications between CLIENT and CONTRACTOR shall be written in the English language which is hereby designated the governing language of the CONTRACT. CONTRACTOR and CLIENT may use any language within their own organizations, except that all Sub-contracts and all written communications pertaining to them shall be in English.

ARTICLE 34 - NON-EXCLUSIVE AGREEMENT

This CONTRACT is non-exclusive and CLIENT reserves the right, without having to give any reason whatsoever to engage other suppliers and/or contractors to supply GOODS. CONTRACTOR shall afford such other contractors adequate opportunity to carry out their contracts and shall supply GOODS in co-operation with those contractors and with CLIENT.

ARTICLE 35 - ENTIRE AGREEMENT

This CONTRACT constitutes the entire agreement between the Parties hereto and supersedes all prior negotiations, representations or agreements related to this CONTRACT, either written or oral, including CLIENT's bid document and CONTRACTOR's proposal(s) except to the extent they are expressly incorporated into this CONTRACT. No changes, alterations, or modifications to this CONTRACT shall be effective unless in writing, and executed by the authorized signatories of CLIENT and CONTRACTOR

SIGNATORIES

This Contract shall inure to the benefit of and be binding upon the legal representatives, successors and assigns of the Parties hereto.

IN WITNESS WHEREOF, the Parties have caused this CONTRACT to be executed in two (02) originals in their respective corporate names by their respective officers, thereunder duly authorised, as of the date and year first above written.

For and on behalf of
CLIENT

For and on behalf of
CONTRACTOR

EXHIBIT I

SCOPE OF SUPPLY AND TECHNICAL REQUIREMENTS

I. SCOPE OF SUPPLY

No.	Descriptions	P/N	Unit	Sun code	Q-ty	Remark
I	Spare parts for Sea water Lift Pump A on FPU DH01, Weir Pumps, Type: SBWM 520 x 2 + 1					
1	Sleeve coupling	AI-304869-37	ea	2033208	4	
2	Column pipe	AI-304869-48	ea	2010237	4	
3	Line shaft	AI-304869-49	ea	2009838	4	
4	Bumper	AI-304869-34	ea	2009841	4	
5	Bottom lineshaft	AI-304869-47	ea	2009840	1	
6	Top shaft	AI-304869-53	ea	2033202	1	
7	Stud-Suction cover	AI-304869-7	ea	1365484	16	
8	Nut-Suction cover	AI-304869-8	ea	1364595	16	
9	Lock Nut-Suction cover	AI-304869-9	ea	1365137	16	
10	Stud-Intermediate chamber	AI-304869-18	ea	1364583	24	
11	Nut-Intermediate chamber	AI-304869-19	ea	1365204	24	
12	Bolt-Delivery chamber/taper pipe	AI-304869-29	ea	1365370	16	
13	Nut-Delivery chamber/taper pipe	AI-304869-30	ea	1365319	16	
14	Grub screw	AI-304869-39	ea	2014193	48	
15	Hex headed bolt	AI-304869-41	ea	1365307	24	
16	Nut	AI-304869-42	ea	2010247	24	
17	Set screws for lineshaft bearing	AI-304869-45	ea	1365423	42	
18	Shaft nut	AI-304869-28	ea	1365289	2	
II	Spare Parts for Electric Submersible Pump, Model: KN302-3a					
19	IMPELLER, Pos. B 2200.01	1074.363/6	ea	2033164	3	

II. TECHNICAL REQUIREMENTS

III. Thông số kỹ thuật cơ bản của thiết bị

1.1. Bơm cung cấp nước biển (Seawater Lift Pump SBWM 520x2).

a. Tên gọi: Seawater Lift pump SBWM 520x2.

b. Thông số kỹ thuật chính của bơm:

- Maker: Weir pump Ltd. Scotland.
 - Pump type: SBWM 520x2 Stages
 - Duty: Seawater (1.025 Ton/M3)
 - Flowrate: 650 M3/h
 - Total Head: 115.34M
 - Minimum NPSH: 10.6M
 - Speed: 1490 RPM.
 - Efficiency: 80%
 - Power consumption: 344 KW
 - Driver: Electric Motor 6.6KV, 60 Hz
 - Designed standard: Centrifugal Pump API 610.
- #### 1.2. Bơm điện chìm cung cấp nước biển (Seawater Elect Submersible Pump KN302-3A).

a. Tên gọi: Electrical Submersible Pump.

b. Thông số kỹ thuật chính của bơm:

- Maker: Pleuger Inc. now is Flowserve.
- Duty: Seawater (1.025 Ton/M3)
- Tag No: S/N 110600765
- Model: KN302-3A+VNI12-120-4
- Speed: 1750 RPM
- Flow rate: 650 M3/H
- Discharge head: 92.00 mH₂O
- Motor rate output: 260 KW, 345A, 600V/60 Hz-3 phase, 1730 RPM.
- Designed standard: Centrifugal Pump API 610.

2. Yêu cầu kỹ thuật đối với dịch vụ:

Cung cấp vật tư, dịch vụ thiết kế kỹ thuật, thiết kế quy trình công nghệ đúc, gia công thành phẩm các chi tiết theo bảng sau (tham khảo bản vẽ

lắp bơm AO-302918 và bản Part List AI-304869):

Stt	Tên gọi	P/N	Vật liệu	Đvt	S.lg	Dwg. No.
1	Sleeve coupling	AI-304869-37	SUS 329 (JIS)	Ea	4	No.01
2	Column pipe	AI-304869-48	GGL-NiCr 15.6.2 (DIN)	Ea	4	No.02
3	Line shaft	AI-304869-49	SUS 329 (JIS)	Ea	4	No.03
4	Bumper	AI-304869-34	Neoprene (BS)	Ea	4	No.04
5	Bottom Line shaft	AI-304869-47	SUS 329 (JIS)	Ea	1	No.05
6	Top shaft	AI-304869-53	SUS 329 (JIS)	Ea	1	No.06
7	Stud-Suction cover	AI-304869-7	SUS 329 (JIS)	Ea	16	DIN 976-1
8	Nut-Suction cover	AI-304869-8	SUS 329 (JIS)	Ea	16	DIN 934
9	Lock Nut-Suction cover	AI-304869-9	SUS 329 (JIS)	Ea	16	DIN 934
10	Stud-Intermediate chamber	AI-304869-18	SUS 329 (JIS)	Ea	24	DIN 976-1
11	Nut-Intermediate chamber	AI-304869-19	SUS 329 (JIS)	Ea	24	DIN 934
12	Bolt-Delivery chamber/taper pipe	AI-304869-29	SUS 329 (JIS)	Ea	16	DIN 931
13	Nut-Delivery chamber/taper pipe	AI-304869-30	SUS 329 (JIS)	Ea	16	DIN 934
14	Grub screw	AI-304869-39	SUS 329 (JIS)	Ea	48	DIN 915
15	Hex headed bolt	AI-304869-41	SUS 329 (JIS)	Ea	24	DIN 931
16	Nut	AI-304869-42	SUS 329 (JIS)	Ea	24	DIN 934
17	Set screws for line shaft bearing	AI-304869-45	SUS 329 (JIS)	Ea	42	DIN 912
18	Shaft nut	AI-304869-28	SUS 329 (JIS)	Ea	2	No.07
19	IMPELLER, Pos. B 2200.01	1074.363/6	Duplex 2205 (ASTM)	Ea	1	No. 09

Yêu cầu kỹ thuật cụ thể đối với từng chi tiết như sau:

- *Đối với Item No.1,3,5,6,18: Sleeve coupling (AI-304869-37), Line shaft (AI-304869-49), Bottom line shaft (AI-304869-47), Top shaft (AI-304869-53), Shaft nut (AI-304869-28).*
- +/Tham khảo bản vẽ thiết kế sơ bộ (05 trang A4 đính kèm), có thể tham khảo thêm chi tiết cũ do bên mời thầu cung cấp. Nhà thầu trình bản vẽ chế tạo các chi tiết theo TCVN, độ chính xác gia công cơ theo API 610.
- +/Yêu cầu về vật liệu: Vật liệu yêu cầu theo mác Thép SUS329 (JIS) hoặc tương đương, thành phần hợp kim đạt được như sau (% theo trọng lượng): C-0.08; Si-0.75; Mn-1.00; P-0.004; S-0.30; Cr-23.00 -> 28.00; Mo-1.00 -> 2.00; Ni-2.50 -> 5.00.
- Cung cấp kết quả kiểm tra cơ tính vật liệu, yêu cầu đạt được theo tiêu chuẩn mác thép SUS329(JIS). Kết quả Test thành phần hợp kim và thử cơ tính được tiến hành theo tiêu chuẩn ASTM E-415-2008.
- +/Yêu cầu về kiểm tra: Cung cấp biên bản kiểm tra độ chính xác hình học và kích thước gia công, có chứng kiến của bên mời thầu.
- +/ *Đối với các Item No. 3, 5, 6 (Line shaft, Bottom line shaft & Top shaft):* Trình bày sơ đồ đo kiểm tra độ chính xác (độ đảo) gia công các chi tiết.
- *Đối với Item No.19: Impeller, Pos. B2200.01 (P/N: 1074.363/6)*
- +/Tham khảo bản vẽ thiết kế sơ bộ (01 trang A4 đính kèm), có thể tham khảo thêm chi tiết cũ do bên mời thầu cung cấp. Nhà thầu trình bản vẽ chế tạo theo TCVN, độ chính xác gia công theo API 610.
- +/Yêu cầu về vật liệu: Vật liệu yêu cầu theo mác Thép Duplex 2205 (ASTM). Thành phần hợp kim % theo trọng lượng như sau: C-0.03 (max), Mo-2.5 - 3.5; Si: 1.0 (max); P: 0.03 (max); S: 0.02 (max); Cr: 21 - 23; Mo: 2.5-3.5; Ni: 4.5-6.5. Fe- Rest.
- Cung cấp kết quả kiểm tra thành phần hợp kim và cơ tính vật liệu, yêu cầu đạt được theo mác Duplex 2205 (ASTM). Kết quả Test thành phần hợp kim và thử cơ tính được tiến hành theo tiêu chuẩn ASTM E-415-2008.
- + Cung cấp biên bản kiểm tra độ chính xác gia công và cân bằng động đạt được G 2.5, có chứng kiến của bên mời thầu.
- *Đối với Item No.4 : Bumper (AI-304869-34)*
- +/Tham khảo thiết kế sơ bộ (01 trang - đính kèm), nhà thầu trình bản vẽ chế tạo các chi tiết theo TCVN, độ chính xác gia công cơ theo API 610.

- +/Vật liệu yêu cầu là Cao su đúc Neoprene (British Standard) hoặc hỗn hợp cao su đúc Nitrile có hàm lượng Acrylo Nitrile từ 35%.
- */Cung cấp chứng chỉ chất lượng của nhà sản xuất – Bản gốc hoặc bản copy (có đóng dấu sao y của nhà cung cấp). Cung cấp chứng chỉ của Cơ quan kiểm định (VRES, DIN...) cho cơ sở sản xuất – bản copy có xác nhận của nhà cung cấp.
- *Đối với Item No.7, 8, 9, 10, 11, 12, 13, 14, 15, 16, 17:* Stud (AI-304869-8), Lock nut (AI-304869-9), Stud (AI-304869-18), Nut (AI-304869-19), Bolt (AI-304869-29), Nut (AI-304869-30), Grub screw (AI-304869-39), Hex Head Bolt (AI-304869-41), Nut (AI-304869-42), Set screw (AI-304869-45). Là các chi tiết chế tạo theo tiêu chuẩn DIN.
- +/Tham khảo kết cấu chi tiết theo tiêu chuẩn DIN tương ứng ghi ở bảng trên, nhà thầu bản vẽ chế tạo các chi tiết theo TCVN, độ chính xác gia công cơ theo API 610.
- +/Yêu cầu về vật liệu: Vật liệu yêu cầu theo mức Thép SUS329 (JIS) hoặc tương đương, thành phần hợp kim đạt được như sau (% theo trọng lượng): C-0.08; Si-0.75; Mn-1.00; P-0.004; S-0.30; Cr-23.00 -> 28.00; Mo-1.00 -> 2.00; Ni-2.50 -> 5.00.
- Cung cấp kết quả kiểm tra cơ tính vật liệu, yêu cầu đạt được theo tiêu chuẩn mức thép SUS 329(JIS). Kết quả Test thành phần hợp kim và thử cơ tính được tiến hành theo tiêu chuẩn ASTM E-415-2008.
- *Đối với Item No.2:* Tham khảo bản vẽ thiết kế sơ bộ (đính kèm) có thể tham khảo chi tiết bơm cũ (đã hết giá trị sử dụng). Nhà thầu tiến hành thiết kế chi tiết (theo API 610), lập quy trình công nghệ đúc, nhiệt luyện, ủ khử ứng suất dư, gia công cắt gọt chế tạo thành phẩm các chi tiết: Column Pipe (AI-304869-48).
- +/Cung cấp bản vẽ thiết kế chi tiết (bản vẽ chế tạo theo TCVN).
- +/ Cung cấp biên bản thử kín thủy lực các chi tiết hình ống #5, #10, #12 @ 20 Bar. Yêu cầu phôi đúc để gia công chi tiết No.2: không có khuyết tật, ủ khử ứng suất, làm sạch bằng phun bi.
- +/Yêu cầu về vật liệu: Vật liệu yêu cầu theo gang đúc Austenit Graphit mức GGL-NiCr 15.6.2 (DIN) Thành phần hợp kim đạt được theo DIN 1694-81. Cụ thể thành phần % theo trọng lượng như sau: C <= 3.00; Si 1.0 – 2.8; Mn 0.50 – 1.50; Cr 1.00 – 2.50 ; Ni 13.5 – 17,5 ; Cu 5,5-7,5; Fe - Rest.
- Cung cấp kết quả kiểm tra thành phần hợp kim và cơ tính vật liệu, yêu cầu đạt được theo mức gang GGL-NiCr 15.6.2 (DIN 1694-81). Kết quả Test thành phần hợp kim và thử cơ tính được tiến hành theo tiêu chuẩn ASTM E-415-2008.

+/ Cung cấp các biên bản kiểm tra độ chính xác gia công cơ theo các yêu cầu ghi trên bản vẽ chế tạo của chi tiết, có chứng kiến của đại diện bên mời thầu

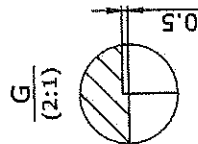
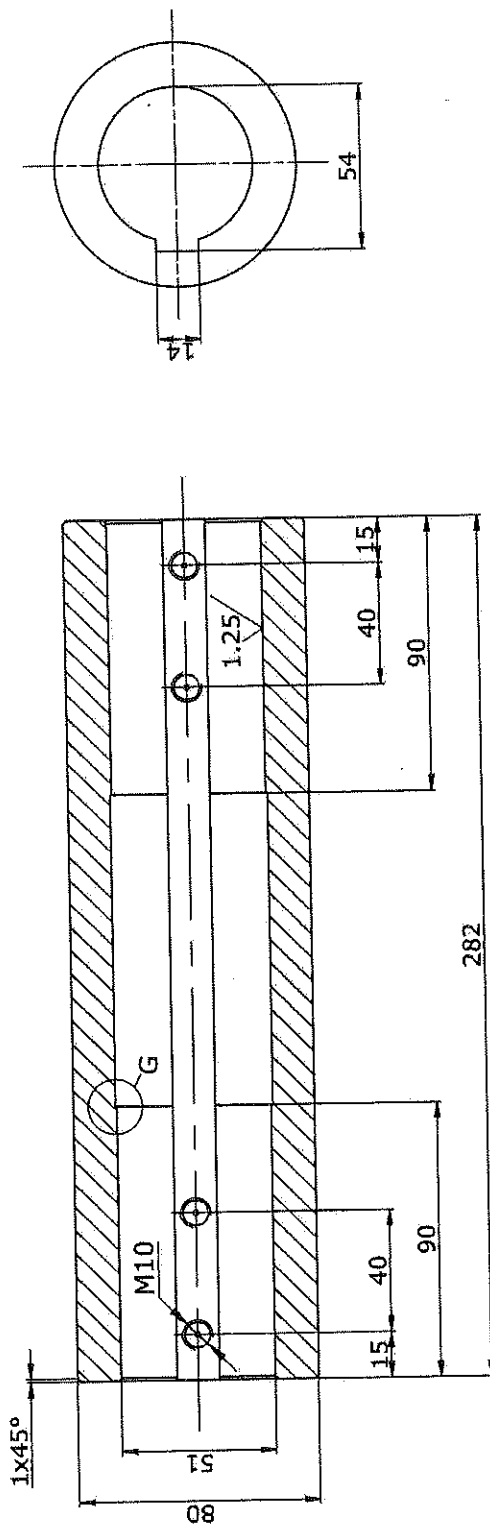
- Cung cấp chứng chỉ chất lượng và xuất xứ cho các chi tiết chế tạo.
- Đóng gói, vận chuyển và bàn giao sản phẩm tại CCDV SX Cty PVEP-POC, cảng hạ lưu PTSC, đường 30 tháng 4, phường Rạch dừa, Tp. Hồ Chí Minh.

Chí Minh.

3. Yêu cầu đối với nhà thầu:

- 3.1. Có giấy phép kinh doanh phù hợp: hoạt động trong lĩnh vực chế tạo bơm công nghiệp công suất lớn và các thiết bị liên quan đến dòng chảy chất lỏng.
- 3.2. Có chứng chỉ ISO 9001 cho các hoạt động: Thiết kế, đúc, chế tạo bơm.
- 3.3. Có kinh nghiệm ít nhất 05 năm trong công tác chế tạo và sửa chữa bơm có công suất $\geq 250\text{KW}$ (Submit similar contact).
- 3.4. Có thiết bị kiểm tra thử cơ tính và thành phần hợp kim của kim loại.
4. Thời hạn giao hàng: 16 tuần tính từ thời điểm ký kết biên bản đàm phán.
5. Các chi tiết nhà thầu cung cấp: yêu cầu mới 100%, sản xuất năm 2026.
6. Thời gian bảo hành: 12 tháng kể từ ngày bàn giao sản phẩm.

SLEEVE COUPLING

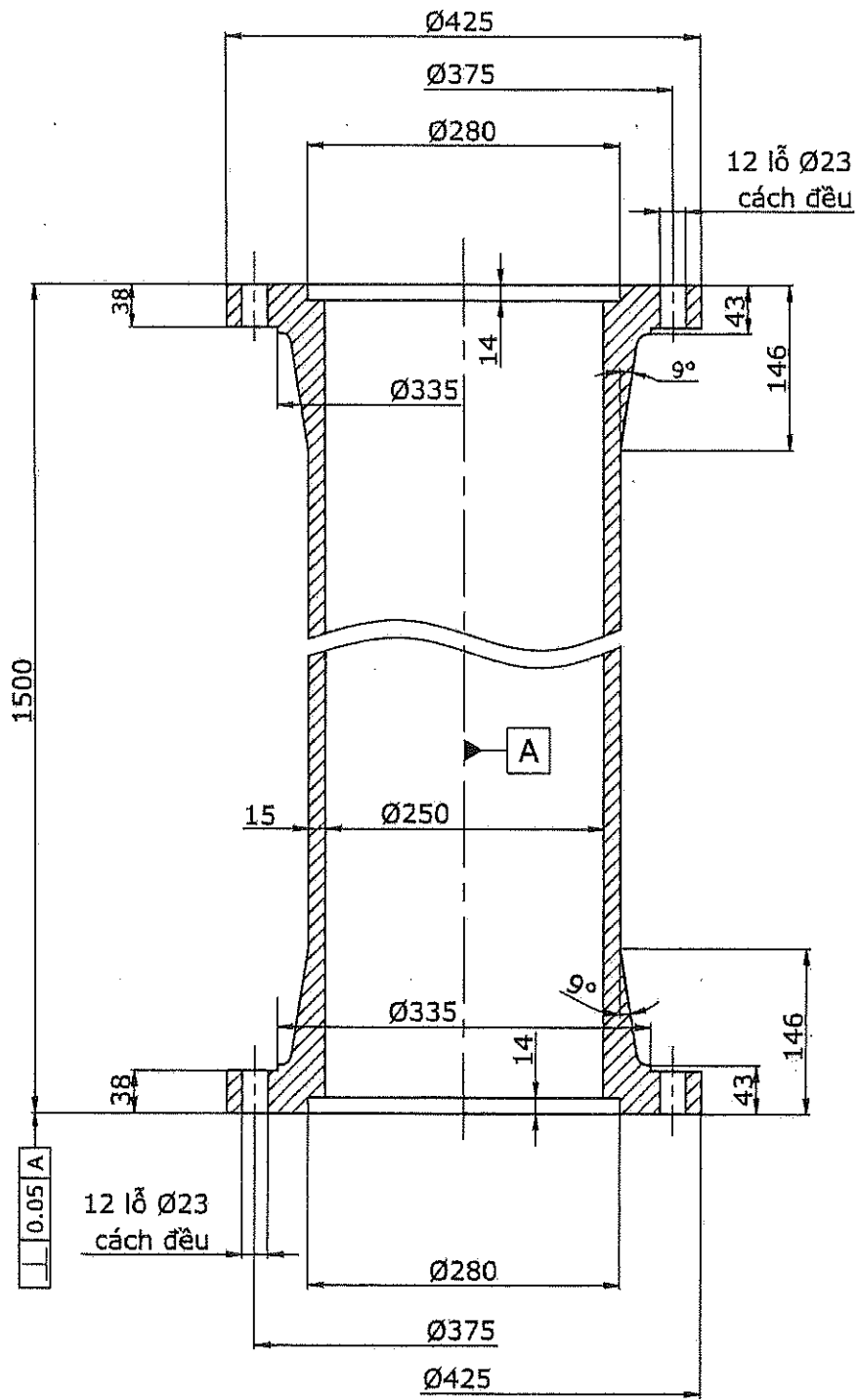


SWL PUMP
Item 37

CHI NHÁNH ĐIỀU HÀNH DẦU KHÍ TRONG NƯỚC - CÔNG TY TNHH
TỔNG CÔNG TY THẨM DÒ KHAI THÁC DẦU KHÍ

DWG. 02

Column Pipe

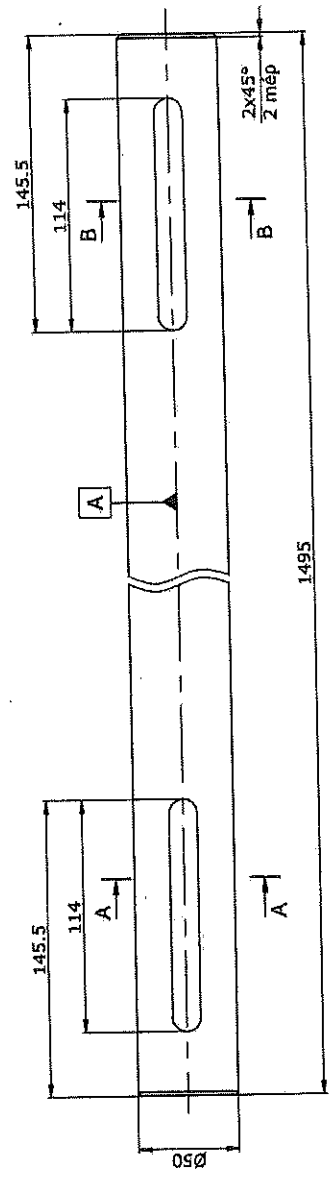


DWG. 02

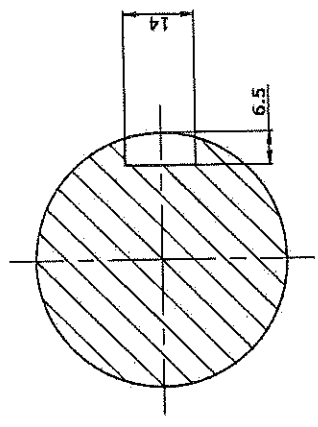
CHI NHÁNH ĐIỀU HÀNH DẦU KHÍ TRONG NƯỚC - CÔNG TY TNHH
TỔNG CÔNG TY THĂM DÒ KHAI THÁC DẦU KHÍ

SWL PUMP
Item 48

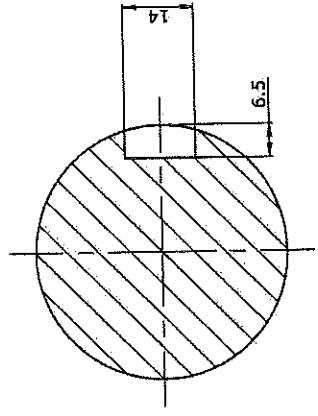
LINE SHAFT
DWG. NO. 03



A-A
(1:1)

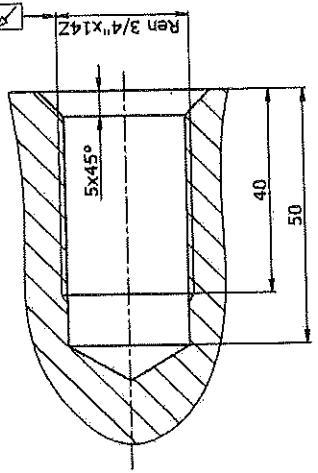


B-B
(1:1)



LỖ REN 2 ĐẦU

$\sqrt{0.09 A}$

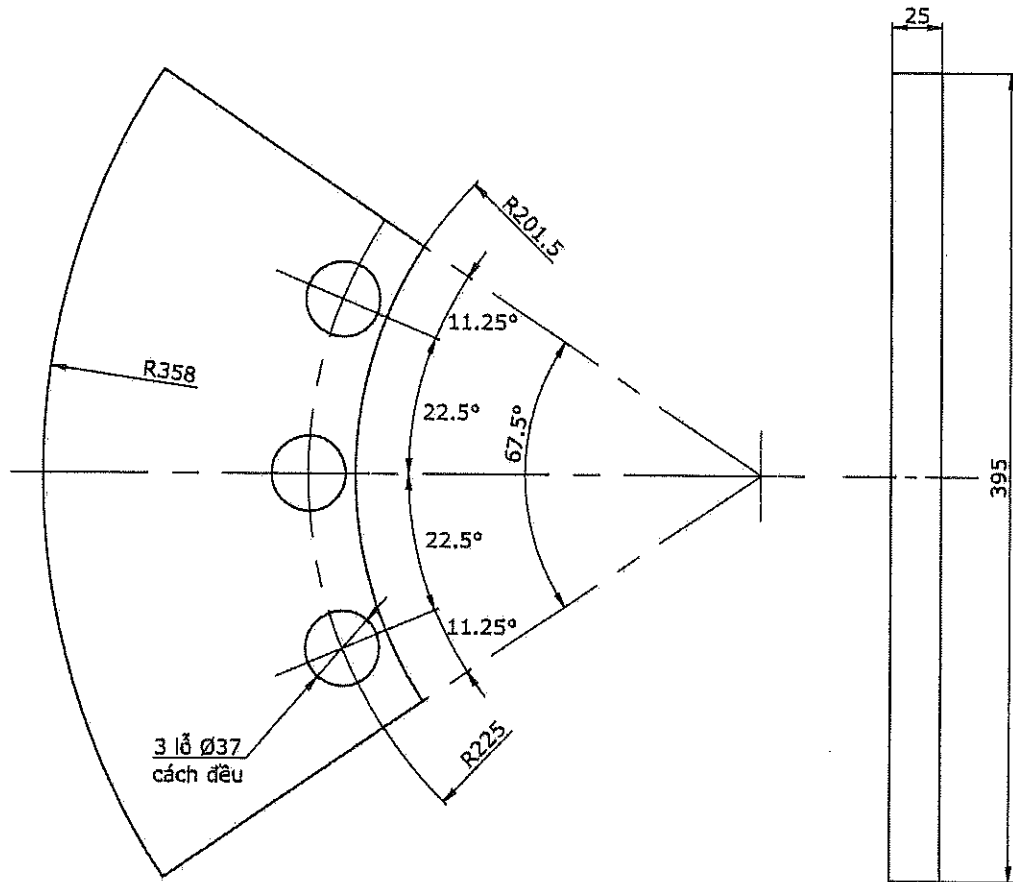


CHI NHÁNH ĐIỀU HÀNH DẦU KHÍ TRONG NƯỚC - CÔNG TY TNHH
TỔNG CÔNG TY THẨM DÒ KHAI THÁC DẦU KHÍ

SWL PUMP
Item 49

DWG. 04

BUMPER



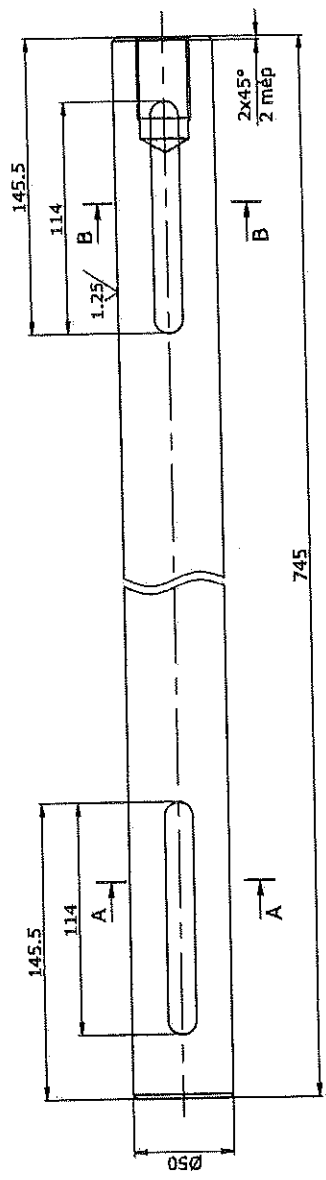
CHI NHÁNH ĐIỀU HÀNH DẦU KHÍ TRONG NƯỚC - CÔNG TY TNHH
TỔNG CÔNG TY THĂM DÒ KHAI THÁC DẦU KHÍ

SWL PUMP
Item 34

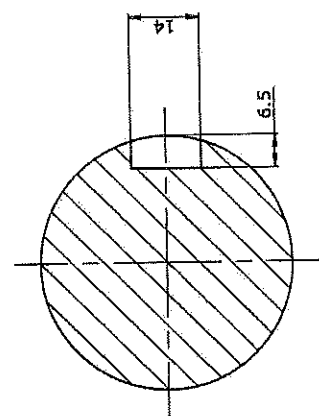
76

BOTTOM LINESHAFT

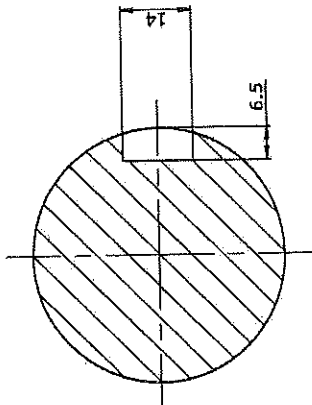
D.M. G. 05



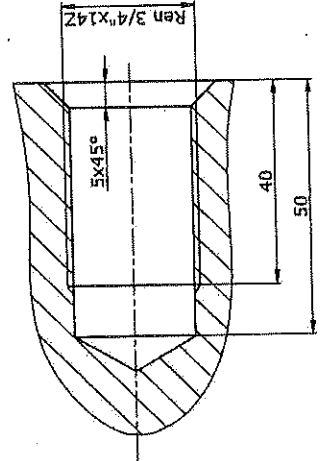
A-A
(1:1)



B-B
(1:1)



LỖ REN 2 ĐẦU

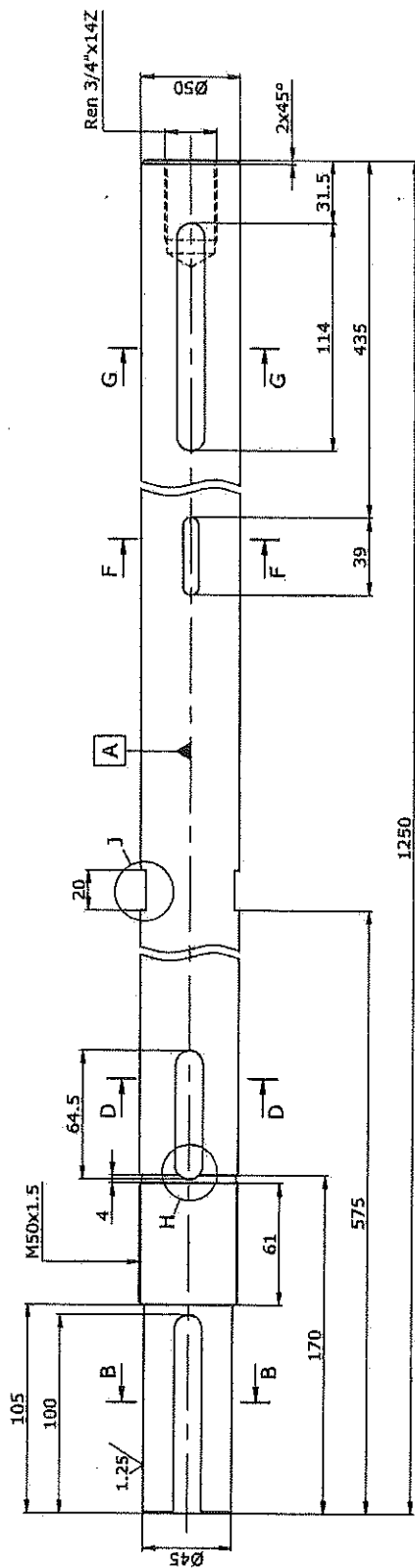


CHI NHÁNH ĐIỀU HÀNH DẦU KHÍ TRONG NƯỚC - CÔNG TY TNHH
TỔNG CÔNG TY THẨM DÒ KHAI THÁC DẦU KHÍ

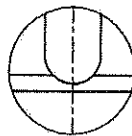
SWL PUMP
Item 47

TOP SHAFT

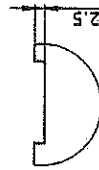
DWG. 06.



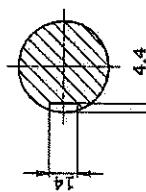
H
(1:1,25)



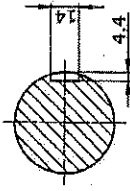
J
(1:1,25)



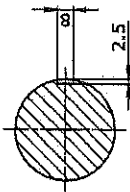
B - B
(1:1,2)



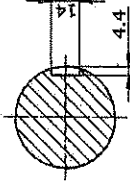
D - D
(1:1,2)



F - F
(1:1,2)



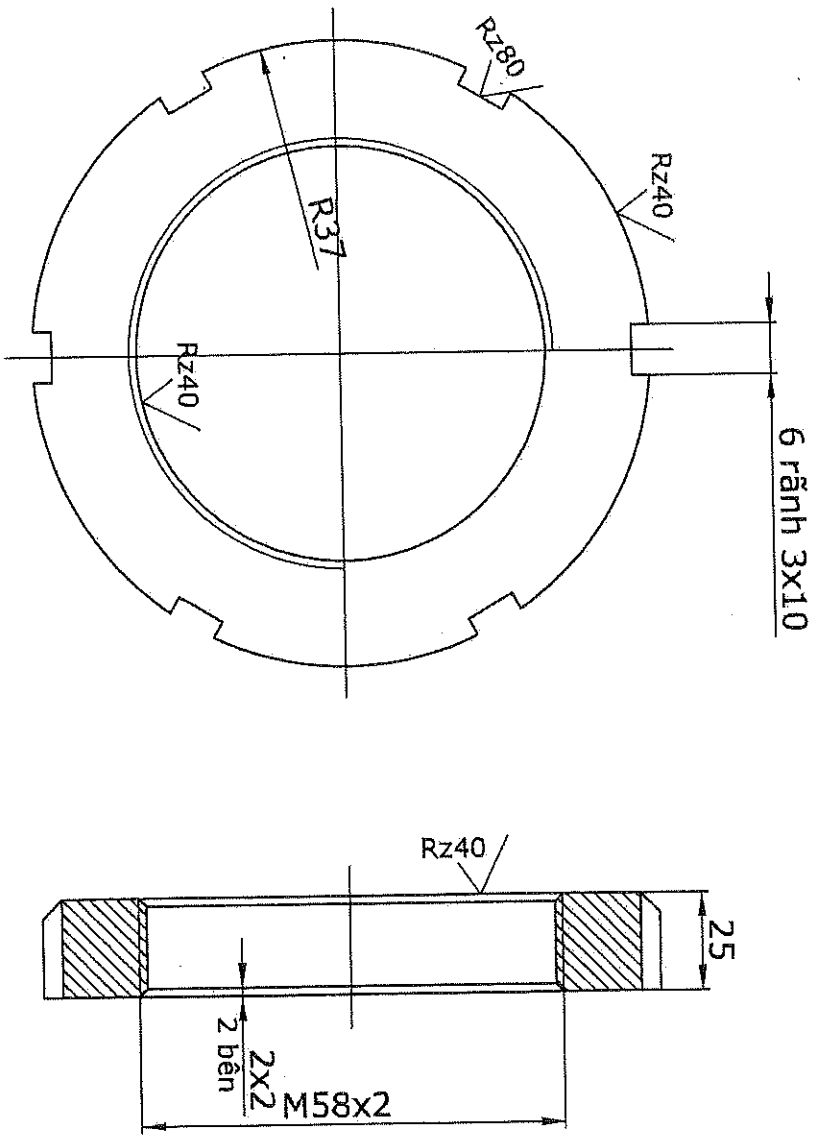
G - G
(1:1,2)



CHI NHÃNH ĐIỀU HÀNH DẦU KHÍ TRONG NƯỚC - CÔNG TY TNHH
TỔNG CÔNG TY THẨM DÒ KHAI THÁC DẦU KHÍ

SWL PUMP
Item 53

SHAFT NUT



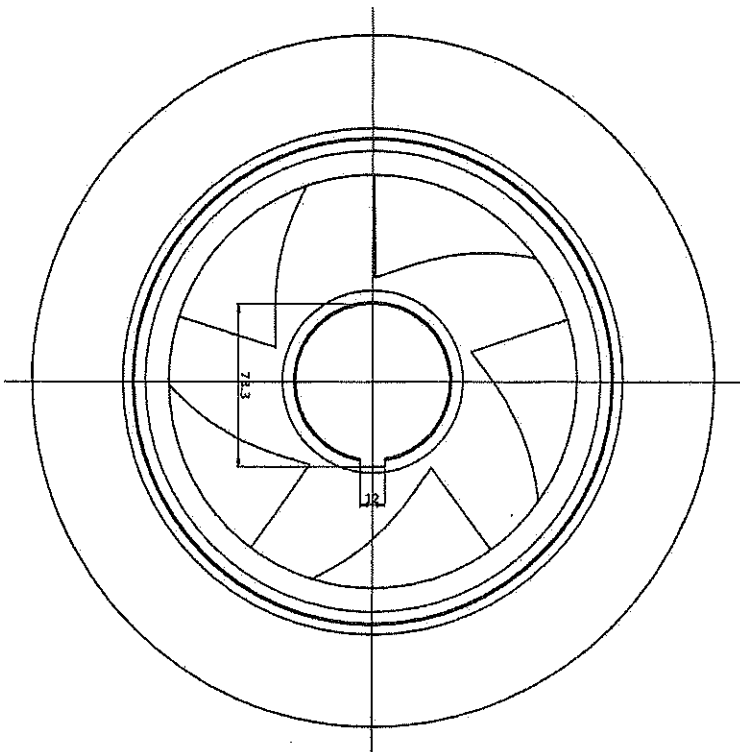
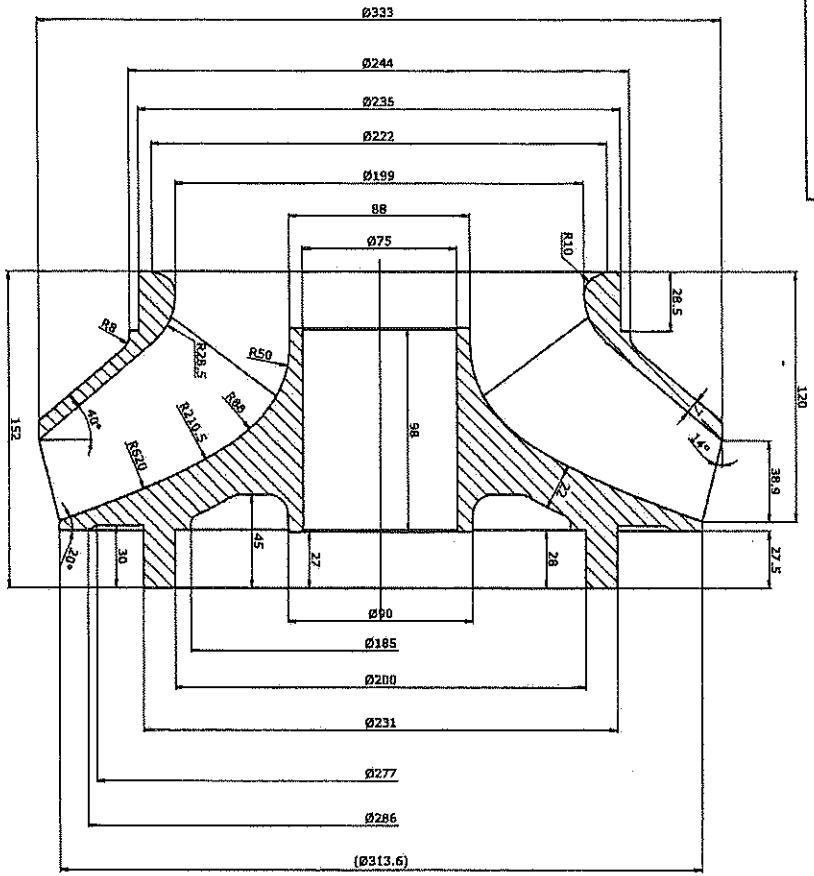
CHI NHÁNH ĐIỀU HÀNH DẦU KHÍ TRONG NƯỚC - CÔNG TY TNHH
TỔNG CÔNG TY THÂM DÒ KHAI THÁC DẦU KHÍ

SWL PUMP
Item 28

DWG. No 7
[Signature]

[Handwritten mark]

IMPELLER



CHI NHÃNH ĐIỀU HÀNH DẦU KHÍ TRONG NƯỚC - CÔNG TY TNHH
TỔNG CÔNG TY THÃM DÒ KHAI THÁC DẦU KHÍ

DWG.09
Item B2200.01

DWG.09

**EXHIBIT II
CONTRACT PRICE**

This Price includes manufacturing & fabrication, assembly, inspection & testing, packing, marking, preservation & transportation, vendor documentation, warranty and project management for supply of Goods and its ancillaries in compliance with the requirements provided in the Scope of Supply and Technical Requirements in Exhibit I.

No.	Descriptions	P/N	Unit	Sun code	Q-ty	Unit Price (VND)	Total Price (VND)	Remark
I	Spare parts for Sea water Lift Pump A on FPU DH01, Weir Pumps, Type: SBWM 520 x 2 + 1							
1	Sleeve coupling	AI-304869-37	ea	2033208	4			
2	Column pipe	AI-304869-48	ea	2010237	4			
3	Line shaft	AI-304869-49	ea	2009838	4			
4	Bumper	AI-304869-34	ea	2009841	4			
5	Bottom limeshaft	AI-304869-47	ea	2009840	1			
6	Top shaft	AI-304869-53	ea	2033202	1			
7	Stud-Suction cover	AI-304869-7	ea	1365484	16			
8	Nut-Suction cover	AI-304869-8	ea	1364595	16			
9	Lock Nut-Suction cover	AI-304869-9	ea	1365137	16			
10	Stud-Intermediate chamber	AI-304869-18	ea	1364583	24			
11	Nut-Intermediate chamber	AI-304869-19	ea	1365204	24			
12	Bolt-Delivery chamber/taper pipe	AI-304869-29	ea	1365370	16			
13	Nut-Delivery chamber/taper pipe	AI-304869-30	ea	1365319	16			
14	Grub screw	AI-304869-39	ea	2014193	48			
15	Hex headed bolt	AI-304869-41	ea	1365307	24			
16	Nut	AI-304869-42	ea	2010247	24			
17	Set screws for limeshaft bearing	AI-304869-45	ea	1365423	42			
18	Shaft nut	AI-304869-28	ea	1365289	2			

II	Spare Parts for Electric Submersible Pump, Model: KN302-3a					
19	IMPELLER, Pos. B 2200.01	1074.363/6	ea	2033164	3	
	Total Price (exclusive of VAT) DDP PVEPPOC's warehouse, PTSC Downstream Port, Vung Tau, S.R. Vietnam					
	- INCOTERMS 2020					
	Estimated VAT %					
	TOTAL Bid Price – Incl. VAT					

- The proposed CONTRACT PRICE shall indicate whether it is inclusive of Vietnamese taxes (VAT, CIT, etc.) or not. In the event that the quoted prices do not specify this, they shall be treated as inclusive of all taxes.
- VAT are estimated at the time of PO/Contract signing. VAT shall be updated and applied according to current regulations at the time of invoice issuance.

26

EXHIBIT III

SHIPPING DOCUMENT, PACKING AND MARKING REQUIREMENT

A. DELIVERY NOTICE AND DOCUMENTS

Shipment notice shall be sent to the CLIENT by cable or telex or fax as soon as possible, but not later than 15 (fifteen) working days after sending the commodities (B/L date) and contain the following information regarding the shipment:

- a. Contract / Fax number.
- b. Name of commodities, quantities and value.
- c. Number of cases, packages, gross weight, and measurement.
- d. Bill of Lading number, date.
- e. Port of departure, estimated time of departure (ETD), estimated time of arrival (ETA) to Vung Tau city, S.R.VIETNAM.

The documents required belonging to the GOODS to be delivered on the basis of DDP PVEP-POC's warehouse, PTSC Downstream Port, Vung Tau, S.R. Vietnam - INCOTERMS 2020 shall be as follows:

1. Clean on board Bill of Lading made out to order of Applicant marked "freight prepaid" (full set).
2. Packing list (full set).
3. C/O by The Chamber of Commerce or Manufacturer's Federation in Manufacturer's/ Exporter's country (01 Original)
4. Certificate of Quality or Certificate of Compliance issued by Manufacturer or Manufacturer's branch in Exporter's country (01 original)
5. Certificate of Guarantee: 12 months from the date of Receipt Protocol (01 original)
6. Signed Commercial Invoice with itemized and total prices issued by CONTRACTOR (02 originals and 01 copies).

When delivering GOODS at CLIENT's base or warehouse, the Deliverer or Forwarder of CONTRACTOR shall provide CLIENT with the Power of Attorney signed by Legal Representative of CONTRACTOR.

Payment Supporting Documents shall include the above mentioned items (from item 1 to item 06) and the following documents (01 original):

1. Letter of Payment Request
2. GOOD'S Delivery and Acceptance Protocol

B. PACKING

1. General

- 1.1 This specification outlines the minimum requirements for the packaging and protection of materials and equipment for secure transport to and storage at overseas locations.
- 1.2 The CONTRACTOR may use his own packaging and protection methods only when he considers them equal or superior to those outlined in this specification.

2. Responsibilities

- 2.1 Responsibility for the supply and application of packaging / protection for all transit and storage need rest with the CONTRACTOR named on the Purchase Contract regardless of any subcontractors or suppliers used. This specification in no way limits the CONTRACTOR's responsibility.
If the CONTRACTOR considers it necessary to take further precautions to ensure secure transit and storage CONTRACTOR is obliged to do so.
- 2.2 If the CONTRACTOR named on the Purchase Contract subcontracts part of the order, he must pass this specification and any additional requirements contained in the Purchase Contract on to the subcontractor and so advise the CLIENT.
- 2.3 The CONTRACTOR shall ensure that all material used for packaging / protection complied with applicable laws and regulations of any jurisdiction the package may enter.
- 2.4 The CONTRACTOR shall be debited any costs incurred by the CLIENT due to the CONTRACTOR not having complied with the required SPECIFICATIONS, or any modifications approved by the CLIENT.
- 2.5 Loads that have been roughly treated or damaged in transit to the final destination shall be reinserted to the original purchase specifications at Carrier's expense.
If the damage was caused by insufficient packaging and/or protection being applied by the CONTRACTOR, then inspection and repair costs may be levied upon the CONTRACTOR.

C. MARKING

- The GOODS shall be packed in sufficiently durable packing material to withstand overseas shipment and tropical conditions and also to ensure against handling at both ends.
- The detailed packing list shall be enclosed in each package to be shipped.
- All packing lists shall be in the English language.
- Port of Destination: PVEP-POC's warehouse, PTSC Downstream Port, Vung Tau City, S.R. Vietnam
- Markings shall be as follows:
 - (i) In case of part, all parts shall be identified legibly by tags or inscription in indelible ink.
When metal tags are used, they must be rustproof.
 - (ii) Consignee and Markings:

Consignee: DOMESTIC PETROLEUM OPERATING BRANCH -
PETROVIETNAM EXPLORATION PRODUCTION CORPORATION
LIMITED
15th Floor, Victory Tower, 12 Tan Trao Street, Tan My Ward, Ho Chi Minh
City
S. R. VIETNAM
Tel: 84-28- 54165050/51/ Fax: 84-28-54160616/26
Contract No.: XXXX
Port of Shipment: TBA
Port of Discharge: TBA

In addition, each package shall be marked to show:

- (i) Brief description of contents
- (ii) Net Weight of contents
- (iii) Gross Weight of contents
- (iv) Dimensions
- (v) Invoice Number

All packages or containers shall be numbered by the CONTRACTOR to designate the package number and total number of packages being shipped. Other packages in respect of dangerous, inflammable and fragile GOODS and etc. (if applicable) shall in addition to the above, bear marking in accordance with the regulations of the shipping and insurance organization concerned.

Handwritten initials

EXHIBIT IV

FORM OF BANK GUARANTEE

Letterhead of Bank

BANK GUARANTEE

TO CONTRACT No. [...] DATED

TO : PVEP-POC

ADD:

Dear Sir,

Issuing

date:

[.....]

Re: Our **BANK GUARANTEE** No.[...] for USD/ VND [.....]

We have been informed that you (hereinafter called CLIENT) have concluded a Contract No. _____(hereinafter called CONTRACT) with (insert the name of the company) (hereinafter called CONTRACTOR) for the Provision of and according to the CONTRACT, CONTRACTOR is required to provide you with a BANK GUARANTEE by a first class Bank in the amount up to USD/VND _____ (United States Dollars/ Vietnam Dong) which is ten percent (10%) of the total CONTRACT PRICE.

In consideration of the above, we (name of the Bank), waiving all rights of objection and defense arising from the principal debt, hereby irrevocably and unconditionally undertake to pay immediately to you upon your first written demand stating that CONTRACTOR has failed to fulfill wholly or partly its contractual obligations under the said CONTRACT, any amount or amounts as specified by you up to a total of USD/ VND _____ (United States Dollars/ Vietnam Dong) without the requirement for you to prove or to show grounds or reasons for your demand or the amount specified.

The payment under this BANK GUARANTEE shall be made by us without any deductions for fees and free of any taxes, imports, levies or duties present or future of any nature within _____ (name of the country).

This BANK GUARANTEE is effective from its issuing date first above written, and valid up to the expiration of the WARRANTY period as stipulated in Article heads as WARRANTY of the CONTRACT plus thirty (30) days.

This BANK GUARANTEE is subject to the Uniform Rules for Demand Guarantee of the International Chamber of Commerce (Publication No. 458) and shall be governed by and construed in accordance with the Laws of S.R.Vietnam.

(Name of Bank)

By: _____

Title: _____

(Authorized signature with stamp of Bank)

EXHIBIT V

ACCEPTANCE PROTOCOL

Place: _____, S.R.Vietnam

Date:

The authorized representatives of [...] (hereinafter referred to as CLIENT) of one party,
and

The authorized representatives of [...] (hereinafter referred to as the CONTRACTOR) of
the other party,

Have made up this Acceptance Protocol to certify that:

On ... [*insert the actual date*] the... (Hereinafter referred to as the GOODS) have been
successfully delivered by the CONTRACTOR in accordance with the CONTRACT No.
...[*insert the Contract number*] and any and all defects and/or discrepancies revealed
during hand-over period have been eliminated and/or rectified to the satisfaction of
CLIENT.

GOODS is in good working condition and ready for normal operation.

GOODS' ACTUAL QUANTITY:

However, the signing of this Protocol does not release the CONTRACTOR from his
guarantee obligations and responsibilities as stipulated in the CONTRACT.

FOR THE CLIENT

FOR THE CONTRACTOR

**EXHIBIT VI
CONTRACT CLOSURE CERTIFICATE**

With reference to CONTRACT No. _____ dated _____ 20____,

between undersigned CONTRACTOR, _____
(Name of CONTRACTOR)

and _____
(Name of COMPANY)

For the Provision of _____

(Title)

In consideration of USD/ VND _____ as per final payment under the CONTRACT, the CONTRACTOR hereby unconditionally releases and forever discharges CLIENT and CLIENT premises and property from all claims, liens and obligations of every nature arising out of or in connections with performance of the CONTRACT and all amendments thereto.

The CONTRACT agrees to indemnify and hold CLIENT harmless from and against all cost, losses, damages, claims from any cause of action, judgements and expenses, including legal costs arising out of or in connections with claims against CLIENT which claims arise of the supply of GOODS on the Delivery Time: DD/MM/YYYY under the CONTRACT and which may be asserted by CONTRACTOR or any of its sub-Contractors or any of their representatives, officers, agents or employees.

The foregoing shall not relieve the CONTRACTOR of his obligations under the provision of the CONTRACT, which by their nature survive completion of supplying GOODS including, without limitation, warranties, guarantees and indemnities.

Executed this _____ day of _____ 20_____.

For and on behalf of CLIENT

Signature

Name

For and on behalf of CONTRACTOR

Signature

Name

